

# Ashland

P U M P

## EPF30 (High Flow) EFFLUENT PUMP

### FEATURES

- Heavy duty cast iron construction
- Oil-filled continuous duty PSC motor
- Upper and lower ball bearing construction
- Cast iron vortex impeller, 3/4" solids handling

*Honest  
Professional  
Dependable*

1899 Cottage Street, Ashland, Ohio 44805

Telephone: 855 281-6830 · Fax: 877 326-1994

[ashlandpump.com](http://ashlandpump.com)



# EPF30 (High Flow) - 3/10 HP Effluent Pump

## TECHNICAL DATA

Physical Data:

DISCHARGE SIZE **2" NPT**  
 IMPELLER TYPE **Vortex**  
 CABLE LENGTH **20'**

Liquid Handling:

SOLIDS SIZE **3/4"**  
 MAXIMUM LIQUID TEMP. **104°F - Intermittent**  
 ACCEPTABLE PH RANGE **6-8 PH**

Temperature:

MAXIMUM STATOR **120°C**  
 OIL FLASH POINT **145°C**

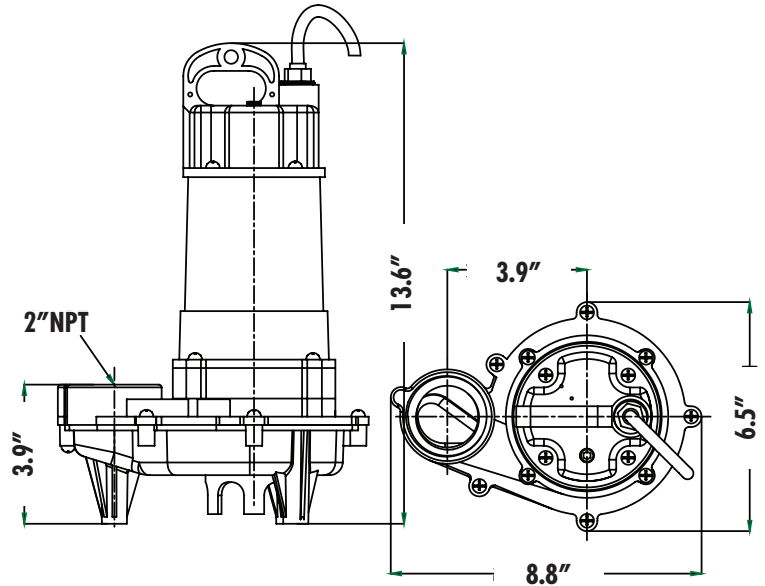
Technical Data:

POWER CORD TYPE **SJTW 18/3C**  
 MOTOR HOUSING **Cast Iron**  
 CASING **N/A**  
 IMPELLER **Cast Iron**  
 MOTOR SHAFT **SS430**  
 HARDWARE **SUS**  
 "O" RINGS **NBR**  
 MECHANICAL SEALS **Standard**  
 UPPER BEARING **608-2RS**  
 LOWER BEARING **6202**

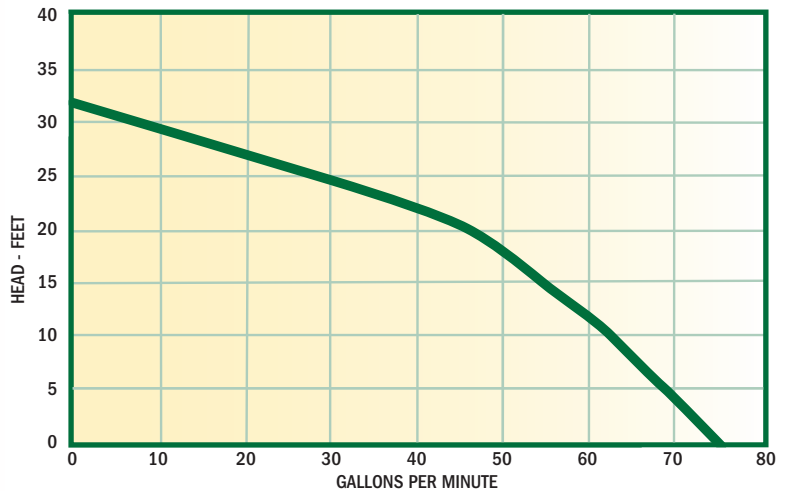
## ELECTRICAL DATA

R.P.M. **3450**  
 MOTOR TYPE **PSC**  
 GEN INSULATION CLASS **B**  
 STATOR WINDING CLASS **B**  
 MAXIMUM STATOR TEMP **120°C**  
 VOLTAGE TOLERANCE **±10%**  
 MOTOR PROTECTION **Thermally Protected**  
 HP **3/10**  
 VOLTAGE **115/230**  
 PHASE **1**  
 SERVICE FACTOR **1**  
 FULL LOAD AMPS **8.0/4.0**

## DIMENSIONAL DATA



## PERFORMANCE CURVE



## PERFORMANCE CHART

Total Lift(feet)	0	5	10	15	20	25	30	32
GPM	75	69	62	54	43	30	9	0



P U M P

*Honest, Professional, Dependable*

1899 Cottage Street, Ashland, Ohio 44805  
 Telephone: 855 281-6830 · Fax: 877 326-1994 · ashlandpump.com