

Little GIANT[®] Pump Company

CS-SS

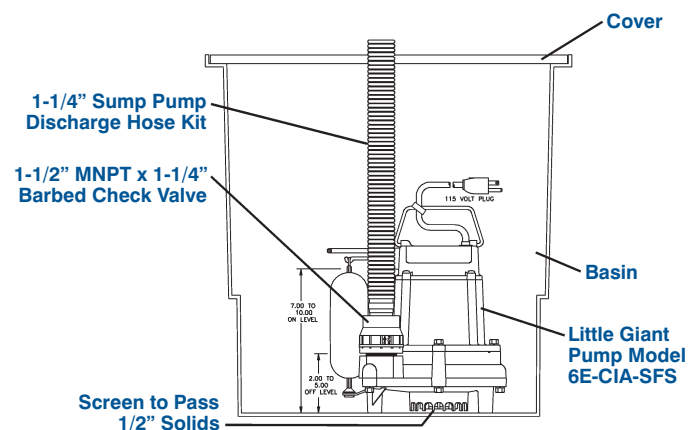


Features

- Pump made of cast iron housing with protective epoxy coating for corrosion resistance
- Handles liquid and solid waste material up to 1/2" diameter
- 1/3 HP shaded pole motor with thermal overload protection
- Automatic operation has “on” level at 7”–10” and “off” level at 2”–5”
- Integral snap action float switch, 18" x 22" perforated basin, light weight and made of corrosion resistant polypropylene
- Structural foam cover with slip fit flanges
- 1-1/4" x 24' sump pump discharge hose kit (adaptors and hose clamps included)
- 1-1/2" MNPT x 1-1/4" barbed check valve

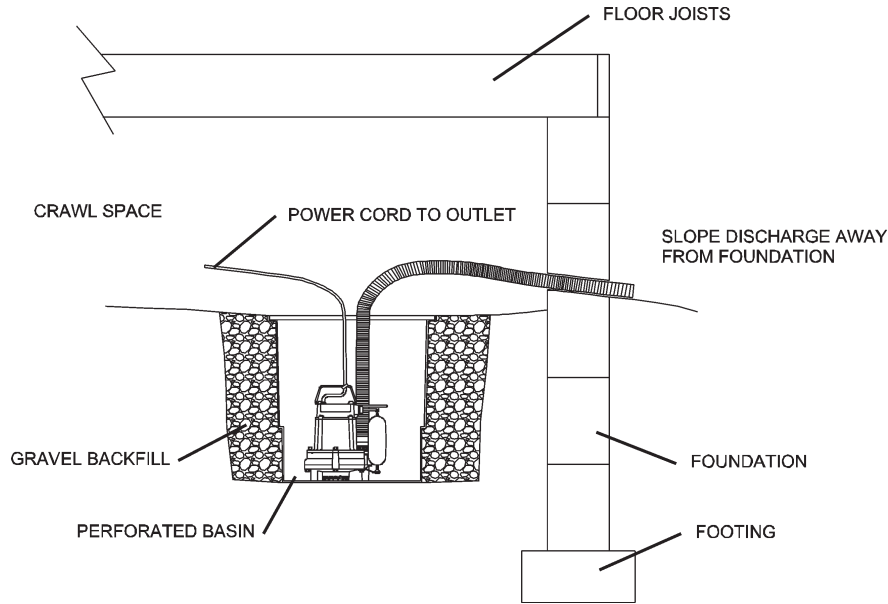
The CS-SS pre-packaged crawl space sump system is an idea solution to help prevent water and moisture from collecting in low areas in the crawl space. Removing this moisture aids in prevention of mold and fungus which cause allergies and odors, as well as moisture damage to wood floors, insulation and metal ductwork. It also helps to minimize structural damage from freezing water which causes the foundation to buckle. The CS-SS can also be used to help prevent water from standing in low lying problem areas such as a yard, patio, driveway, and around houses.

The system includes an 18" x 22" perforated polypropylene basin with structural foam cover, 1/3 HP, 6E-CIA-SFS sump pump with 1/2" spherical solids handling capabilities, 1-1/4" x 24' sump pump discharge hose kit (includes adaptors and hose clamps), and a 1-1/2" MNPT x 1-1/4" barbed check valve.



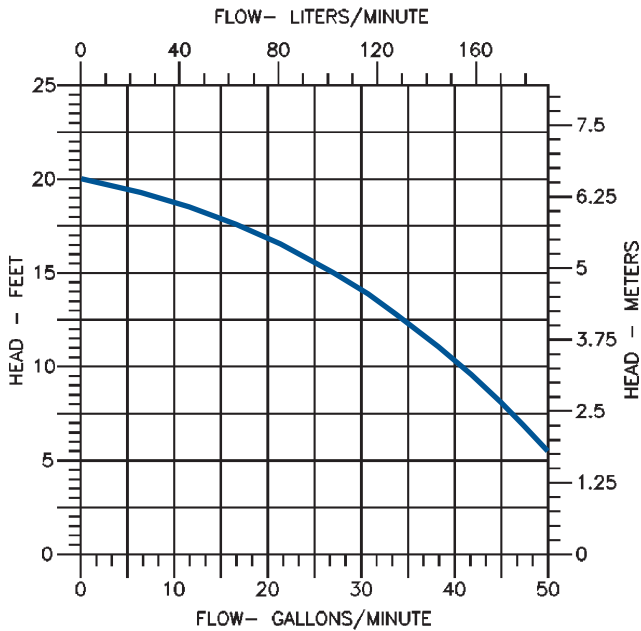
Little Giant Pump Co.

CS-SS



Specifications

Model No.	Item No.	Pump Listing	HP	Volts	Hz	Running Amps/Watts	Performance (GPM@Head)			Shutoff (ft.)	Weight (lbs.)	Dimensions
							5'	10'	15'			
CS-SS	14940655	UL/CSA	1/3	115	60	10/750	50	42	27	20	27	18" dia. x 22" tall



Construction

Cover	Polycarbonate
Motor Housing	Epoxy-Coated Cast Iron
Impeller Material	Nylon
Impeller Type	Vortex
Volute	Epoxy-Coated Cast Iron/ Polypropylene
Power Cord	SJTW-A
Mechanical Shaft Seal	Nitrile with Carbon and Ceramic faces
Fasteners	Stainless Steel
Shaft	Cold Rolled Steel
Bearings	Upper and lower sintered sleeve bearings

Basin Construction

Basin	Polypropylene
Cover	Structural Foam

www.septicsolutions.com
Toll Free: 1-877-925-5132

