

# Wastewater

## 9EN Series



9EN-CIA-RF



9EN-CIM

### Applications

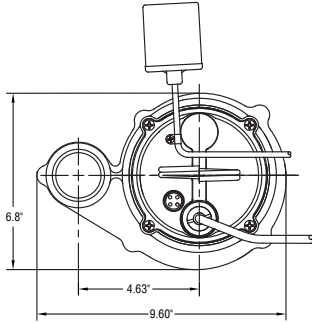
- Little Giant 9EN Series Effluent Pumps are rated for continuous duty in dewatering, water transfer, and effluent wastewater removal applications

### Features

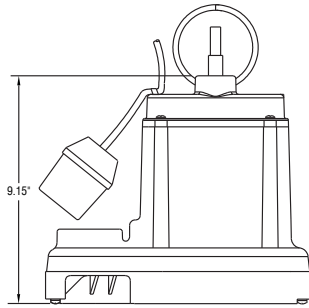
- 4/10 hp PSC motor with thermal overload protection
  - Energy saving low amp draw
  - Cooler running motor which extends the life of the pump
- Cast iron pump housing with protective epoxy coating for corrosion and rust resistance, polypropylene base
- Stainless steel screws, bolts and handle
- Mechanical seals (stainless steel spring, nitrile parts, carbon and ceramic faces)
- Upper sintered sleeve and lower ball bearing
- 1-1/2" FNPT discharge
- Fully submersible
- Handles liquid and solid waste materials up to 3/4" diameter
- Available in manual or automatic operation with piggyback mechanical float switch
  - On level 9" - 14"
  - Off level 2" - 6"
- Two year warranty

**LittleGIANT®**

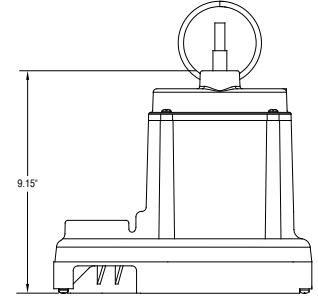
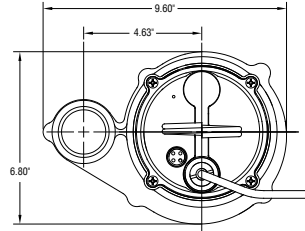
## Engineering Data



9EN-CIA-RF



9EN-CIM



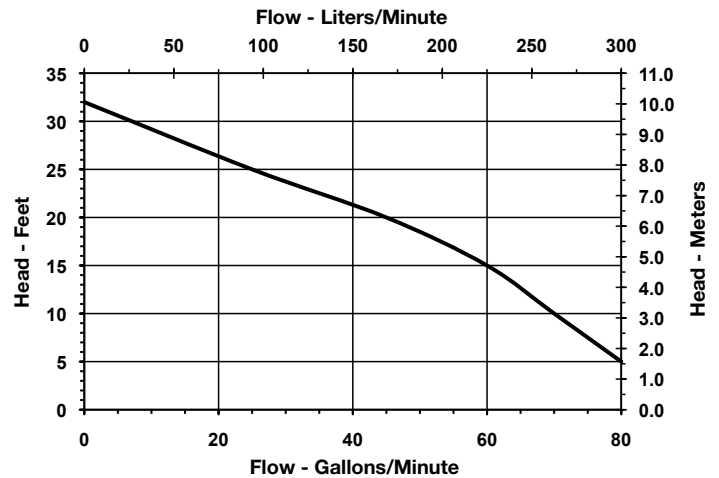
## Specifications

Item	Model	Listing (S)	HP	Volts	Solids Size (dia. In.)	Running Amps/ Watts	Performance GPM @ Head					Shut Off (ft)	PSI	Cord Length	Weight (lbs)	Dimensions		
							5'	10'	15'	20'	25'					H X L X W (in)		
509209	9EN-CIA-RF	cCSAus	4/10	115	3/4"	9.0/920	80	70	60	45	25	32	14	20'	27.5	9.15	9.6	6.8
509210	9EN-CIA-RF	cCSAus	4/10	115	3/4"	9.0/920	80	70	60	45	25	32	14	30'	28.5	9.15	9.6	6.8
509207	9EN-CIM	cCSAus	4/10	115	3/4"	9.0/920	80	70	60	45	25	32	14	20'	26.5	9.15	9.6	6.8
509208	9EN-CIM	cCSAus	4/10	115	3/4"	9.0/920	80	70	60	45	25	32	14	30'	27.5	9.15	9.6	6.8

## Construction

Cover	Epoxy-coated cast iron
Motor Housing	Epoxy-coated cast iron
Impeller Material	Thermoplastic Elastomer
Impeller Type	Non-clog
Volute	Epoxy-coated cast iron
Power Cord	SJTW
Mechanical Shaft Seal	Nitrile with carbon and ceramic faces
Fasteners	Stainless Steel
Shaft	Steel
Bearings	Upper sintered sleeve and lower ball bearing

## Performance Data



P.O. Box 12010  
 Oklahoma City, OK 73157-2010  
 Phone: 1.800.701.7894  
 Fax: 1.800.678.7867  
[www.LittleGiantPump.com](http://www.LittleGiantPump.com)