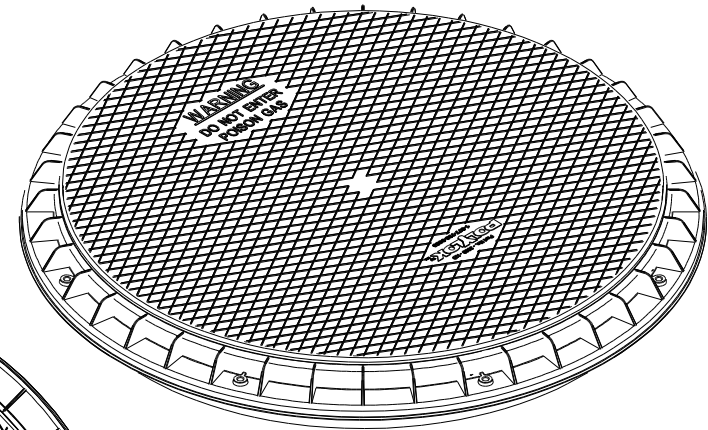
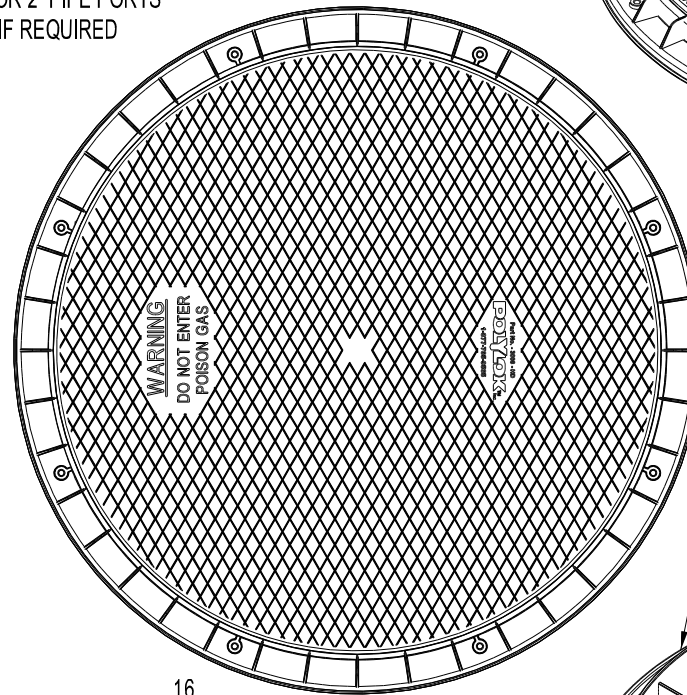
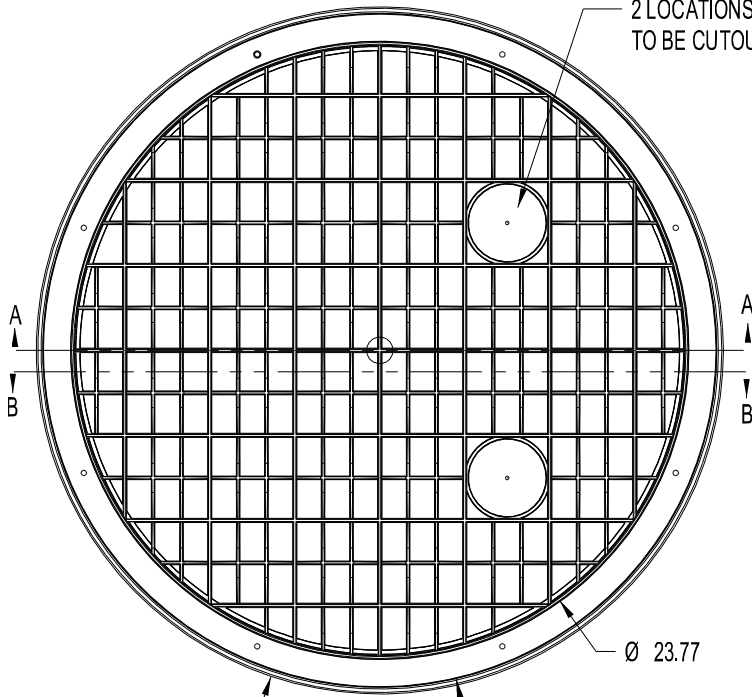


SECTION A-A

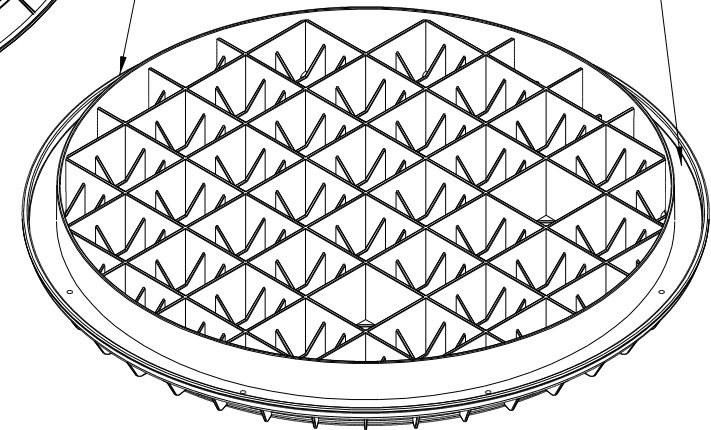


2 LOCATIONS FOR 2" PIPE PORTS
TO BE CUTOUT IF REQUIRED

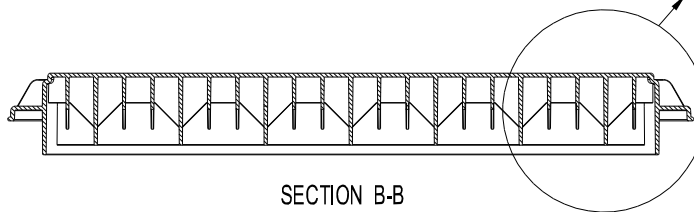
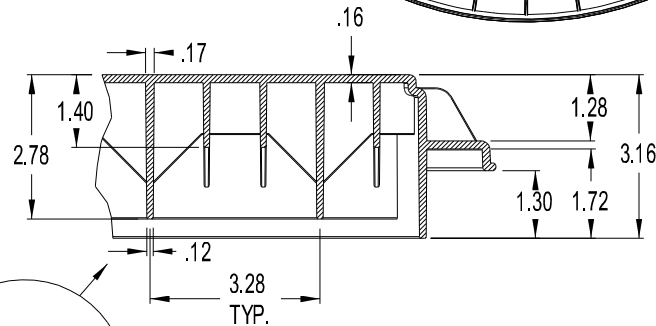


BOTTOM DETAIL FITS POLYLOK
PART NO. - 3008
3008-R12
3008-R12B
3009-AR
3009-RTR24
3008-RP
AND ALL 24" SMOOTH WALL
CORRUGATED PIPE

EPDM FOAM GASKET
INSTALLED HERE



POLYLOK 24" HEAVY COVER
PART NO. 3008-HD
MATERIAL - HDPE
COLOR - GREEN



SECTION B-B

