



## SW40 SEWAGE PUMP

### FEATURES

- Heavy duty cast iron
- Oil-filled continuous duty PSC motor
- 2 vane cast iron vortex impeller



*Honest  
Professional  
Dependable*

1899 Cottage Street, Ashland, Ohio 44805

Telephone: 855 281-6830 · Fax: 877 326-1994

[ashlandpump.com](http://ashlandpump.com)

# SW40 - 4/10 HP Submersible Sewage Pump

## TECHNICAL DATA

### Physical Data:

DISCHARGE SIZE **2" NPT**  
 IMPELLER TYPE **2-Vane - Cast Iron**  
 CABLE LENGTH **10'**

### Liquid Handling:

SOLIDS SIZE **2"**  
 MAXIMUM LIQUID TEMP. **104°F - Intermittent**  
 ACCEPTABLE PH RANGE **6-8**

### Temperature:

MAXIMUM STATOR **120°C**  
 OIL FLASH POINT **140°C**

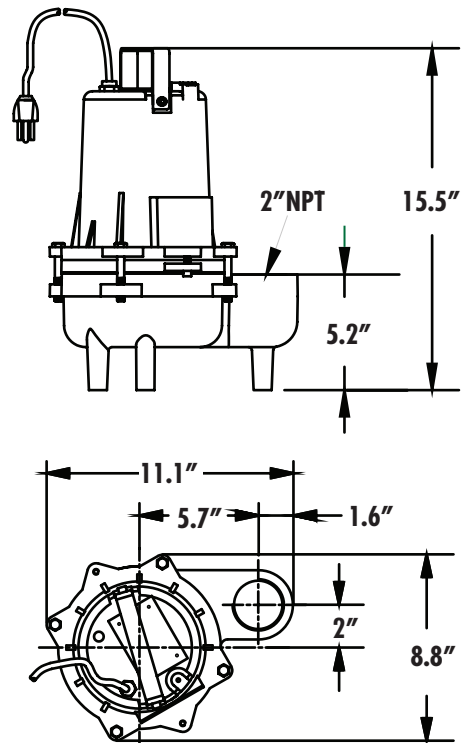
### Technical Data:

POWER CORD TYPE **SJTOW 16/3C**  
 MOTOR HOUSING **Cast Iron**  
 CASING **N/A**  
 IMPELLER **Cast Iron**  
 MOTOR SHAFT **SS430**  
 HARDWARE **SUS**  
 "O" RINGS **NBR**  
 MECHANICAL SEALS **Standard**  
 UPPER BEARING **6202**  
 LOWER BEARING **6203**

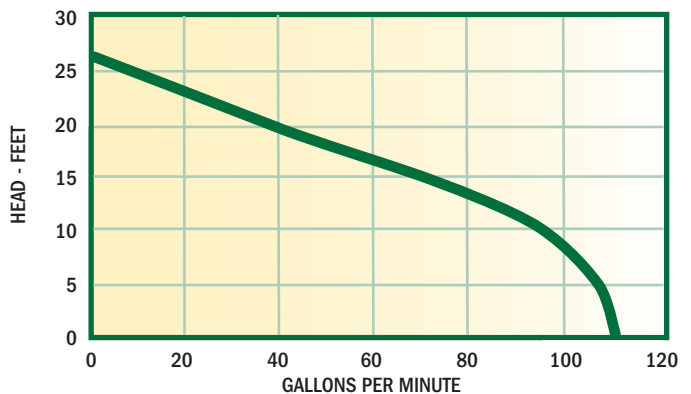
## ELECTRICAL DATA

R.P.M. **1750**  
 MOTOR TYPE **PSC**  
 GENERAL INSULATION CLASS **B**  
 STATOR WINDING CLASS **B**  
 MAXIMUM STATOR TEMPERATURE **120°C**  
 VOLTAGE TOLERANCE **±10%**  
 MOTOR PROTECTION **Thermally Protected**  
 HP **4/10**  
 VOLTAGE **115**  
 PHASE **1**  
 SERVICE FACTOR **1**  
 FULL LOAD AMPS **11.0**

## DIMENSIONAL DATA



## PERFORMANCE CURVE



## PERFORMANCE CHART

Total Lift(feet)	0	5	10	15	20	26
GPM	110	105	95	70	40	0

# Ashland

P U M P

*Honest, Professional, Dependable*

1899 Cottage Street, Ashland, Ohio 44805

Telephone: 855 281-6830 · Fax: 877 326-1994 · ashlandpump.com