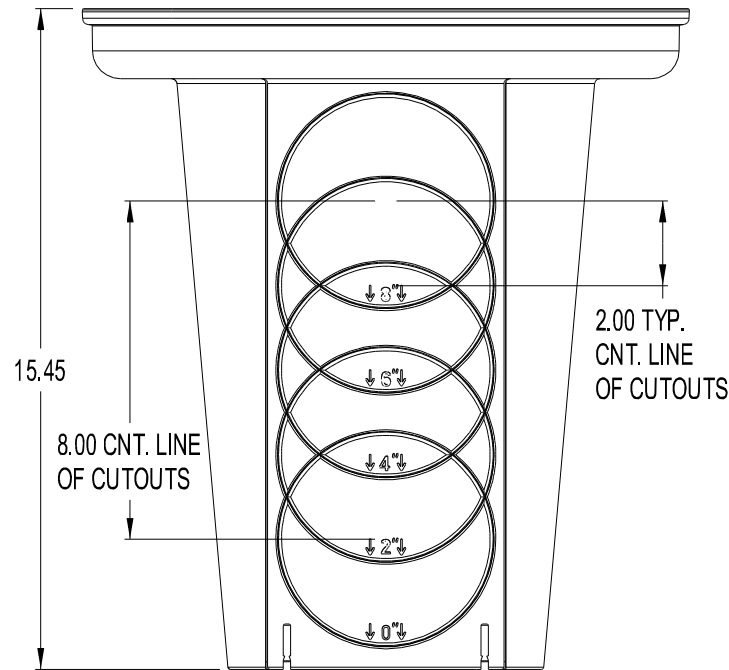
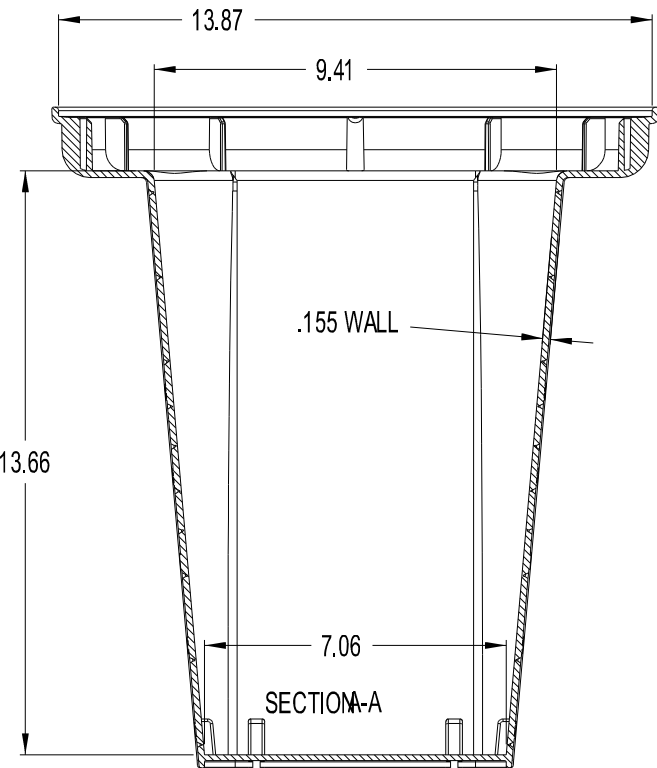


HOLES TO BE CUTOUT  
AS NEEDED TO ACCEPT  
POLYLOK PRT. 3001  
D-BOX SEAL

SLOTS TO ACCEPT  
4 LEVELING PADS  
POLYLOK PRT. 3017-12F



POLYLOK 12" D-BOX  
PART NO. - 3017-12  
MATERIAL - HDPE