

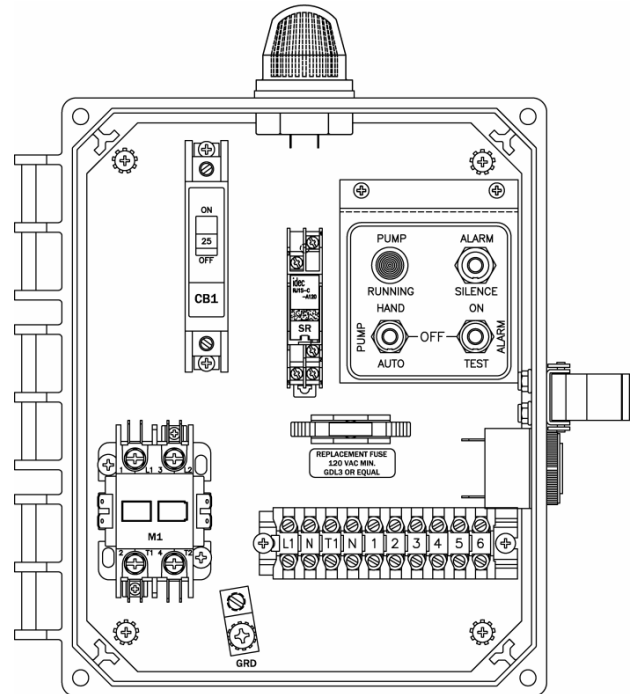


# CONTROL PANEL

## “50A001” Model Simplex 115V 1 Phase Control Panel

### Features & Benefits

- Circuit Breakers for Pump Circuit
- Definite Purpose Contactor
- Easy to Access Terminal Block
- Usable with 115 VAC
- Alarm Silence & On-Off-Test Switches
- Externally Mounted Audible Alarm
- Pump Hand-Off-Auto Switch
- Pump Running Light
- External Alarm Light
- Control Circuit Fuse Protection
- Ground Lugs
- Color Coded Internal Wiring
- Rugged Weather Resistant Hinged Poly Enclosure w/Sst Latch
- Built and Labeled to UL 508A Standard w/Nema 4x Rating
- Provided with Wiring Schematic and Detailed Connection Diagram for Installer
- Mounting Feet for Enclosure



(Standard 50A001 Shown)

### Available Options(\*)

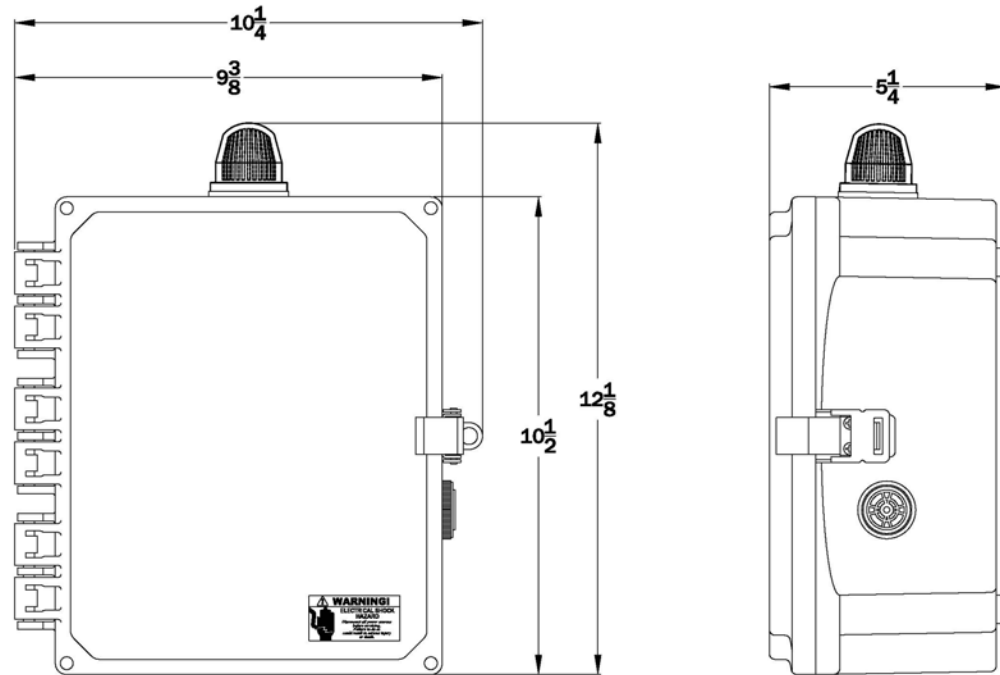
- Fiberglass Enclosure
- IEC Motor Contactor
- Flasher
- Dead Front Inner Door
- Auxiliary Alarm Contacts
- Elapsed Time Meter
- Event or Cycle Counter
- Mercury or Mechanical Float Switches for the Pumps and High Water Alarm Circuits



\*Note: Consult the factory for other available options. Also some options may require an increase in the enclosure size.

**“50A001” Model Simplex 115V 1 Phase Control Panel**

**Panel Dimensions**



**Panel Schematic**

