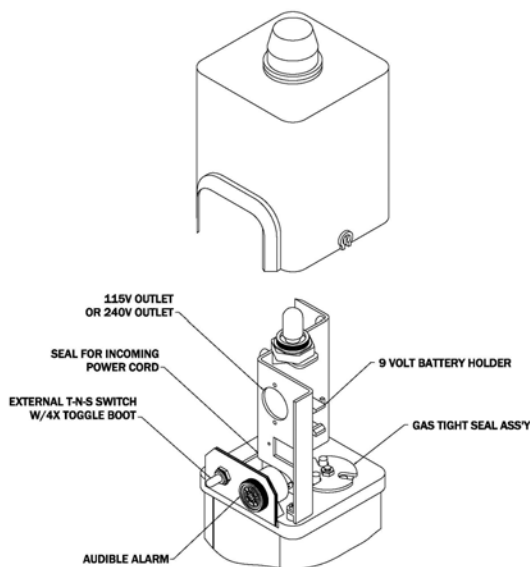
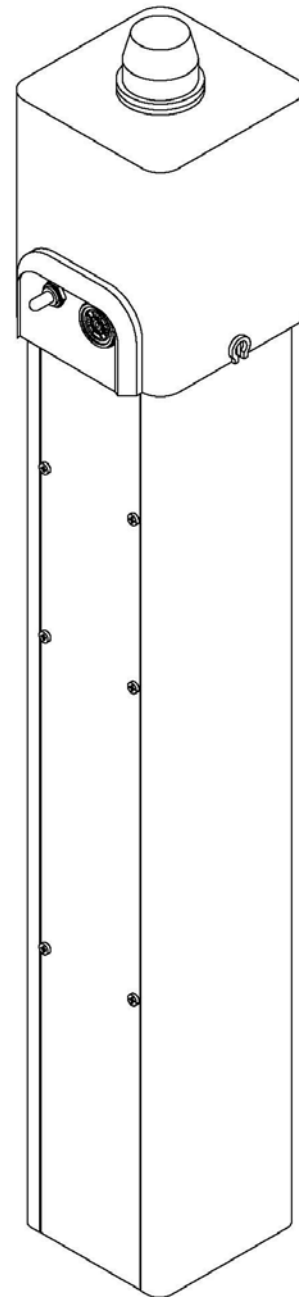




## “Observer 100” Series Pedestal Alarm

### Features & Benefits

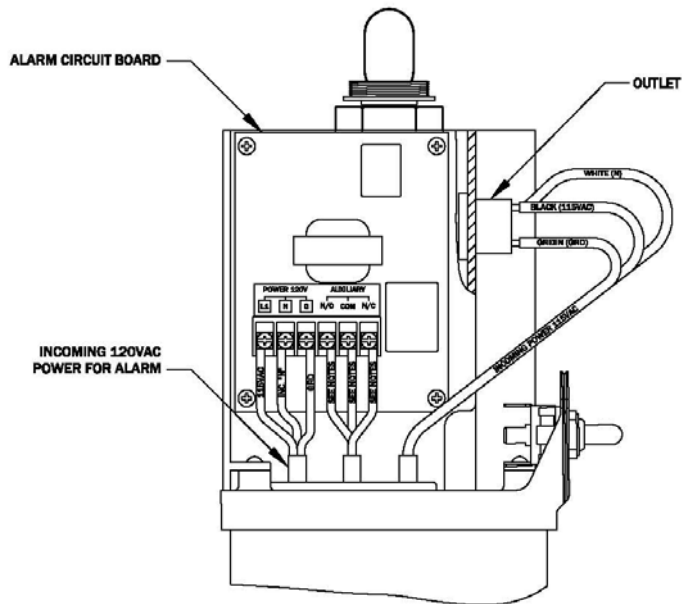
- NEMA 3R Thermoplastic Enclosure
- Available with 115V or 230V Outlet
- Large 360° Red Alarm Lens
- Audible Horn rated 85db @ 10'
- Standard External Test-Normal-Silence Switch
- Available with Over Current Protection
- Available Remote Alarm
- Automatic Alarm Reset
- Auxiliary Dry Contacts
- 9 volt Battery Back-up
- Quick Connect Block for Alarm Float
- Includes 15' Mechanical Alarm Float & mounting tie strap
- Two Year Limited Warranty
- Available in both High Water & Low Level Alarm versions
- Completely Removable Front Access Cover



\*Note: Consult the factory for other available options.

**“Observer 100” Series Pedestal Alarm**

**Wiring Diagram**



**NOTES: TWO SEPARATE POWER SUPPLIES ARE RECOMMENDED - ONE FOR THE ALARM CIRCUIT AND ONE FOR THE PUMP CIRCUIT. ON THE 120VAC OUTLET - WIRES ARE SOLDERED TO THE OUTLET TO ALLOW FOR CONNECTING INCOMING POWER SUPPLY. BE SURE TO USE WIRE NUTS OR CONNECTORS WITH SILICONE SEALANT OR SIMILAR FOR WATER TIGHT CONNECTION.**

**WHEN USING AUXILIARY CONTACTS FOR REMOTE ALARM OR DEVICES: BE SURE REQUIRED CURRENT IS LESS THAN 3 AMPS. THE "COM" OR COMMON TERMINAL MUST BE POWERED. TO TURN "ON" A REMOTE DEVICE OR ALARM DURING A HIGH WATER ALARM CONNECT TO "NO" OR THE NORMALLY OPEN POSITION. TO TURN "OFF" A REMOTE DEVICE OR ALARM DURING A HIGH WATER ALARM CONNECT TO "NC" OR THE NORMALLY CLOSED POSITION**