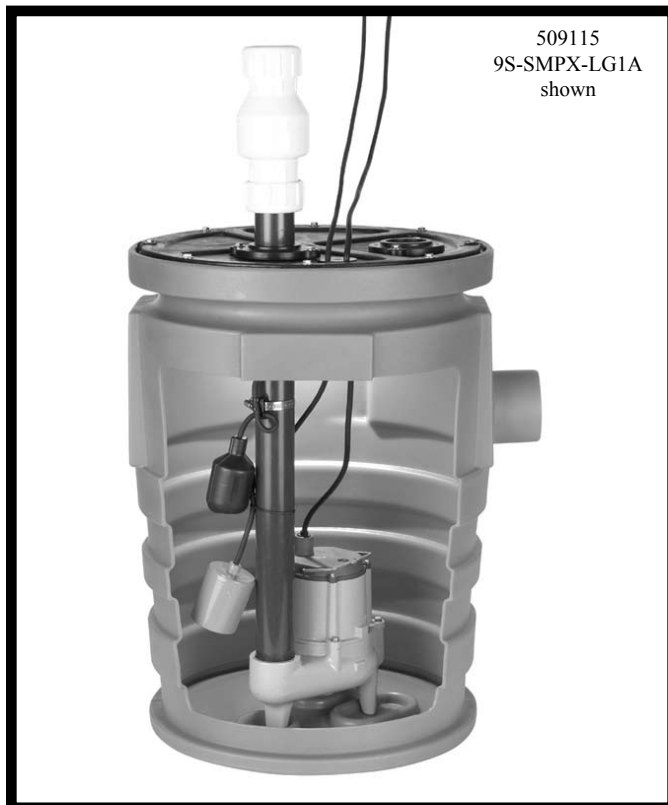


Little GIANT[®]

PITPLUS[™] SIMPLEX PACKAGE SYSTEMS



Applications

- Homes
- Farms
- Residential, Light Commercial and Industrial
- Collection of sewage, effluent, drainage and seepage water

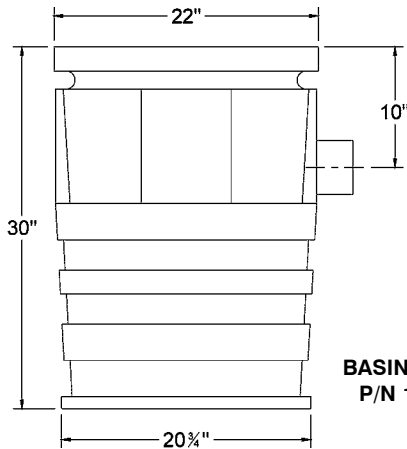
Features

- Handles liquid and solid waste materials up to 2" diameter
- Larger capacity extends pump life by reducing pump cycles
- 20"×30" polyethylene basin with ribs for added strength
- 4" molded external inlet hub to accept flexible coupling
- Molded torque stops in bottom of basin to locate and secure pump
- Anti-flotation collar
- Stainless steel cover bolts
- 360° molded handle for ease of transportation and installation
- Schedule 80 PVC discharge nipple with pre-drilled air-bleed hole
- Full flow check valve (except on noted models)
- Check/ball valve combination on selected models
- Available with Little Giant's 9S or 10S Series sewage ejector pumps
- Available pre-packaged or pre-assembled
- Durable, corrosion resistant one-piece and two-piece structural foam covers. Available with slip-fit or bolt-on vent and discharge flanges. (Two-piece available with bolt-on flanges only; one-piece steel cover on IAPMO-approved models.)
- Available with indoor or indoor/outdoor alarms. (Alarm float preset at factory on pre-assembled units.)

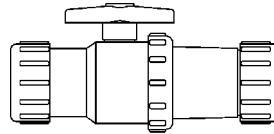
For residential, light commercial and industrial applications, the Little Giant simplex systems are designed to handle liquid and solid waste materials up to 2" in diameter using Little Giant's 9S or 10S Series sewage ejector pumps. The systems are available pre-packaged or pre-assembled with one-piece or two-piece structural foam covers. The one-piece covers are available with slip-fit or bolt-on vent and discharge flanges. The two-piece covers are available with bolt-on flanges only. Pre-packaged and pre-assembled models are available with indoor or indoor/outdoor alarms with the alarm float preset at factory on pre-assembled units. In addition to a standard check valve, a check/ball valve combination is available on selected models.

The Little Giant PitPlus[™] comes equipped with a 4/10 HP 9S Series or a 1/2 HP 10S Series wastewater and sewage ejector pump. Both units are equipped with cast iron housings and volutes that have a protective epoxy coating. Automatic operation is achieved by use of a piggyback mechanical float switch.

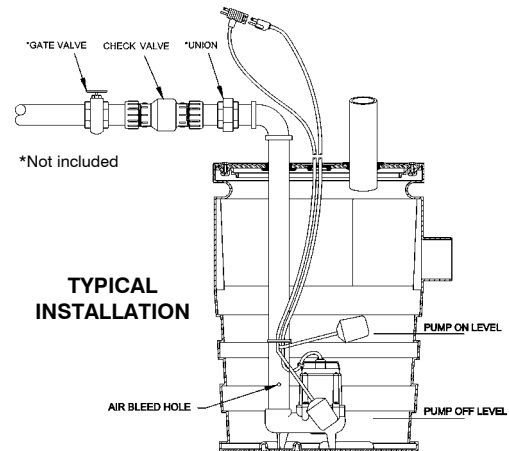
PITPLUS™ SIMPLEX PACKAGE SYSTEMS



**BASIN DETAIL
P/N 113095**

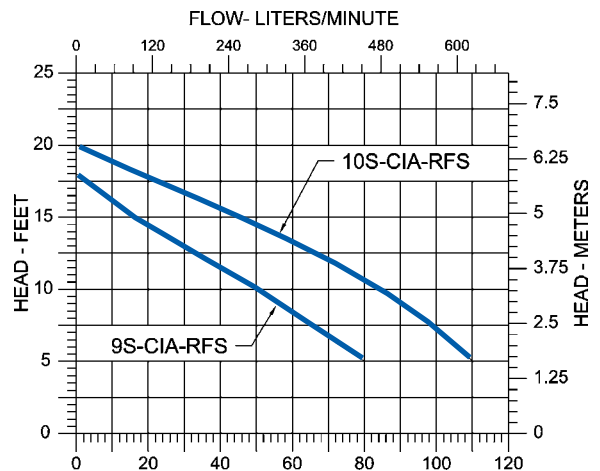


**CVBV-2
2" BALL/CHECK VALVE**



Pre-Packaged

Item Numbers			Model	Discharge Size	Check Valve	Alarm Options
Slip-Fit Flanges	Bolt-On Flanges					
1-Piece	1-Piece	2-Piece				
*509088	509106	509010	9S-SMPX-LG	2"	2" Ball/Check	
*509090	509108	509011	9S-SMPX-LG	2"	2" Check	
509092	509110	509012	9S-SMPX-LG	3"	N/A	
509094	509112	509013	9S-SMPX-LG	3"	3" Check	
*509096	509114	509014	9S-SMPX-LG1A	2"	2" Check	Indoor High Water Alarm
*509098	509116	509015	9S-SMPX-LG3A	2"	2" Check	Indoor/Outdoor High Water Alarm
*511069	511135	511020	10S-SMPX-LG	2"	2" Check	
*511071	511137	511021	10S-SMPX-LG1A	2"	2" Check	Indoor High Water Alarm
*511073	511139	511022	10S-SMPX-LG3A	2"	2" Check	Indoor/Outdoor High Water Alarm



Pre-Assembled

Item Numbers			Model	Discharge Size	Check Valve	Alarm Options
Slip-Fit Flanges	Bolt-On Flanges					
1-Piece	1-Piece	2-Piece				
*509089	509107	509016	9S-SMPX-LG	2"	2" Ball/Check	
*509091	509109	509017	9S-SMPX-LG	2"	2" Check	
509093	509111	509018	9S-SMPX-LG	3"	N/A	
509095	509113	509019	9S-SMPX-LG	3"	3" Check	
*509097	509115	509020	9S-SMPX-LG1A	2"	2" Check	Indoor High Water Alarm
*509099	509117	509021	9S-SMPX-LG3A	2"	2" Check	Indoor/Outdoor High Water Alarm
*511070	511136	511023	10S-SMPX-LG	2"	2" Check	
*511072	511138	511024	10S-SMPX-LG1A	2"	2" Check	Indoor High Water Alarm
*511074	511140	511025	10S-SMPX-LG3A	2"	2" Check	Indoor/Outdoor High Water Alarm
†509118			9S-SMPX-LG	2"	2" Check	
†511077			10S-SMPX-LG	2"	2" Check	

NOTE: All systems are equipped with 2" discharge unless specified otherwise.

* 2" or 3" vent configuration

† IAPMO approved



www.septicsolutions.com

Toll Free: 1-877-925-5132



Basin/Cover Assemblies

New Item	Model	Cover Detail
513244	BC2030CSLG	Slip-fit, 2V2D, 2V3D or 3V2D
513245	BC2030CSLG	Bolt-on, 2V2D, 1-Piece
513340	BC2030CSLG	Bolt-on, 2V3D, 1-Piece
513341	BC2030CSLG	Bolt-on, 3V2D, 1-Piece
513342	BC2030CSLG	Bolt-on, 3V3D, 1-Piece
513343	BC2030CSLG	Bolt-on, 2V2D, 2-Piece
513344	BC2030CSLG	Bolt-on, 2V3D, 2-Piece
513345	BC2030CSLG	Bolt-on, 3V2D, 2-Piece
513346	BC2030CSLG	Bolt-on, 3V3D, 2-Piece
†513246	BC2030CSLG	Slip-fit, 2V2D, 1-Piece

