

Aira-Guard™ Control Panel

T-Style, Timer Box, 120/240VAC | Type 4X Enclosure
Model: AGTB240



QUICK START GUIDE

OSG00570_Rev01_Aira-Guard AGTB240 | February 23, 2026 1:37 PM

Safety Guidelines



WARNING

Before proceeding with the installation or operation of this product, read all instructions thoroughly, as well as complying with all federal, state and local codes, regulations, and practices. This product must be installed by qualified personnel familiar with all applicable local electrical and mechanical codes. Refer to the National Electrical Code (NEC) (NFPA 70). Failure to properly install, test, and operate this product can result in personal injury or equipment malfunction.

1. DISCONNECT POWER when installing or servicing the product. Failure to disconnect all power sources could result in serious injury or death.
2. NEVER enter a flooded space without proper Personal Protective Equipment (PPE). Always wear dielectric rubber boots and other applicable protective equipment when water is on the floor and you must service an energized pump, alarm system, or product.
3. DO NOT enter the water if the water level is higher than that of the protection your PPE offers or if your PPE is not watertight.
4. DO NOT use or install this product with or near flammable liquids.
5. DO NOT use or install this product in locations classified as hazardous or in explosive atmospheres as defined by any applicable electrical safety code.

Step 1: Installation

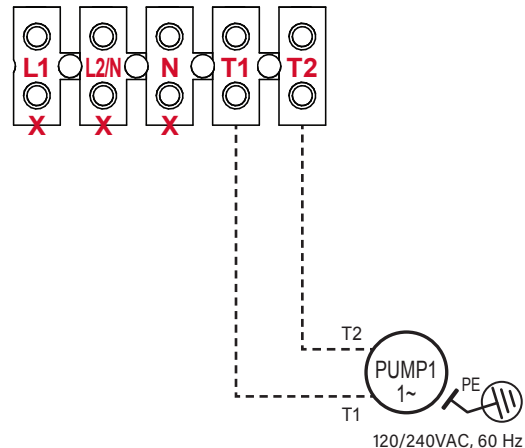
Use this quick start guide as reference to match up each component included to the correct terminals inside the sensor panel shown in each step.

1. Mount and secure the sensor panel in the desired location. Recommended to use four (4) screws (not included) and wall mount anchors (not included) if necessary.
2. Install using the appropriate conduit connections. Make sure all conduits are sealed and waterproof per local codes.
3. **WARNING:** Do not mix high and low voltage wires in the same conduit or junction box, failure to do so will cause system failure. Follow NEC requirements pertaining to separation of voltages if run in the same conduit.
4. Incoming alarm/control power must match the sensor panel voltage. Refer to included electrical schematic for complete wiring and voltage information.

Step 2: Wiring Motor

Wire the motor connection (load) to the motor contactor terminals listed below and shown in the diagram.

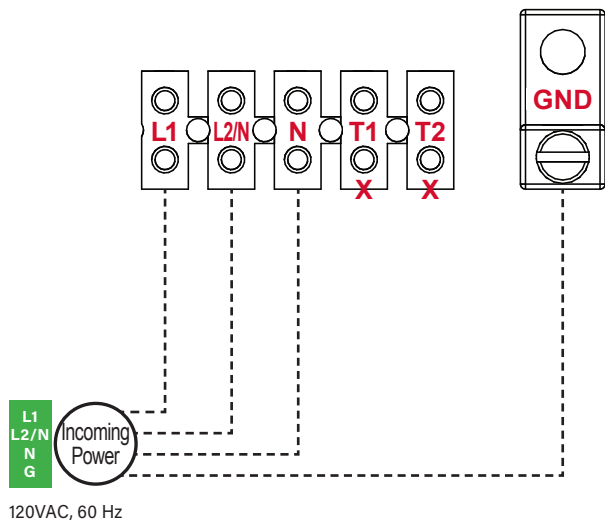
Motor Connection-T1	=	T1
Motor Connection-T2	=	T2
Ground Pump Motor PE	=	GND1 (control panel ground lug)



Step 3A: Wiring | Incoming Power 120VAC

Wire the incoming power to the terminal listed below and shown in the diagrams. Make sure to use the correct diagram depending on the motor voltage.

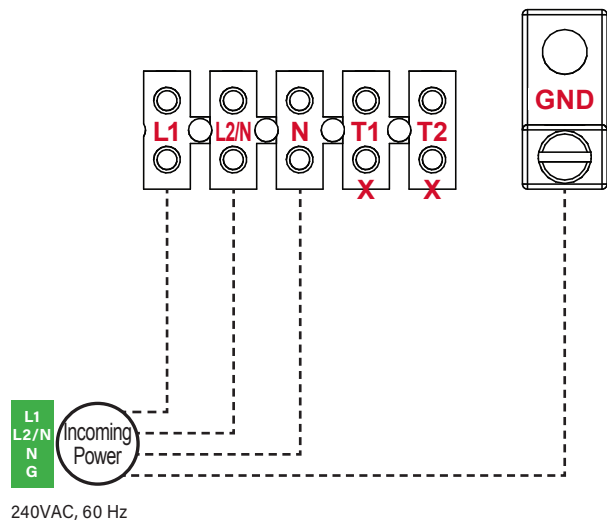
Incoming Power Line = L1
 Incoming Power Neutral = L2/N (Add Jumper Between L2/N and N Terminals)
 Incoming Power Neutral = N (Add Jumper Between L2/N and N Terminals)
 Incoming Power Ground = GND



Step 3B: Wiring | Incoming Power 240VAC

Wire the incoming power to the terminal listed below and shown in the diagrams. Make sure to use the correct diagram depending on the motor voltage.

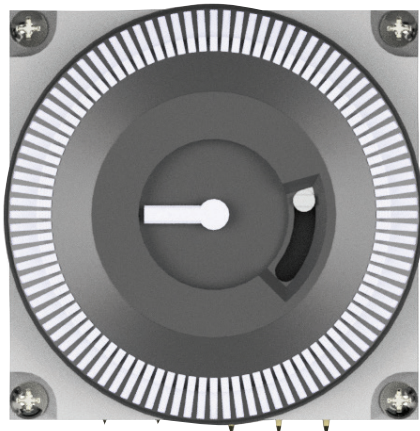
Incoming Power Line 1 = L1
 Incoming Power Line 2 = L2/N
 Incoming Power Neutral = N
 Incoming Power Ground = GND



Step 4: Timer Settings

Spray Timer:

1. Set timer to correct time of day by rotating the dial.
2. Push down on the pins on the time clock to where you want to enable/allow the motor to run.



Included with Product

• **Base Model:** AGTB240

Customer Support

Online
alderonind.com

Email
info@alderonind.com

QR Code
Scan code for full product details, documents, and operating information



Specifications

Aira-Guard™ T-Style, Timer Box, 120/240VAC

Primary Power:	120/240 VAC, 0-12 Amps
Phase Type:	Single Phase
Enclosure (inches):	Thermoplastic, 8x6x3, Type 4X (indoor/outdoor), Pad-Lockable
Certifications:	UL 508 (US and Canada)
Warranty:	Three-Year Limited Warranty