

# EFFLUENT PUMPS

## Model: EP40



### Features

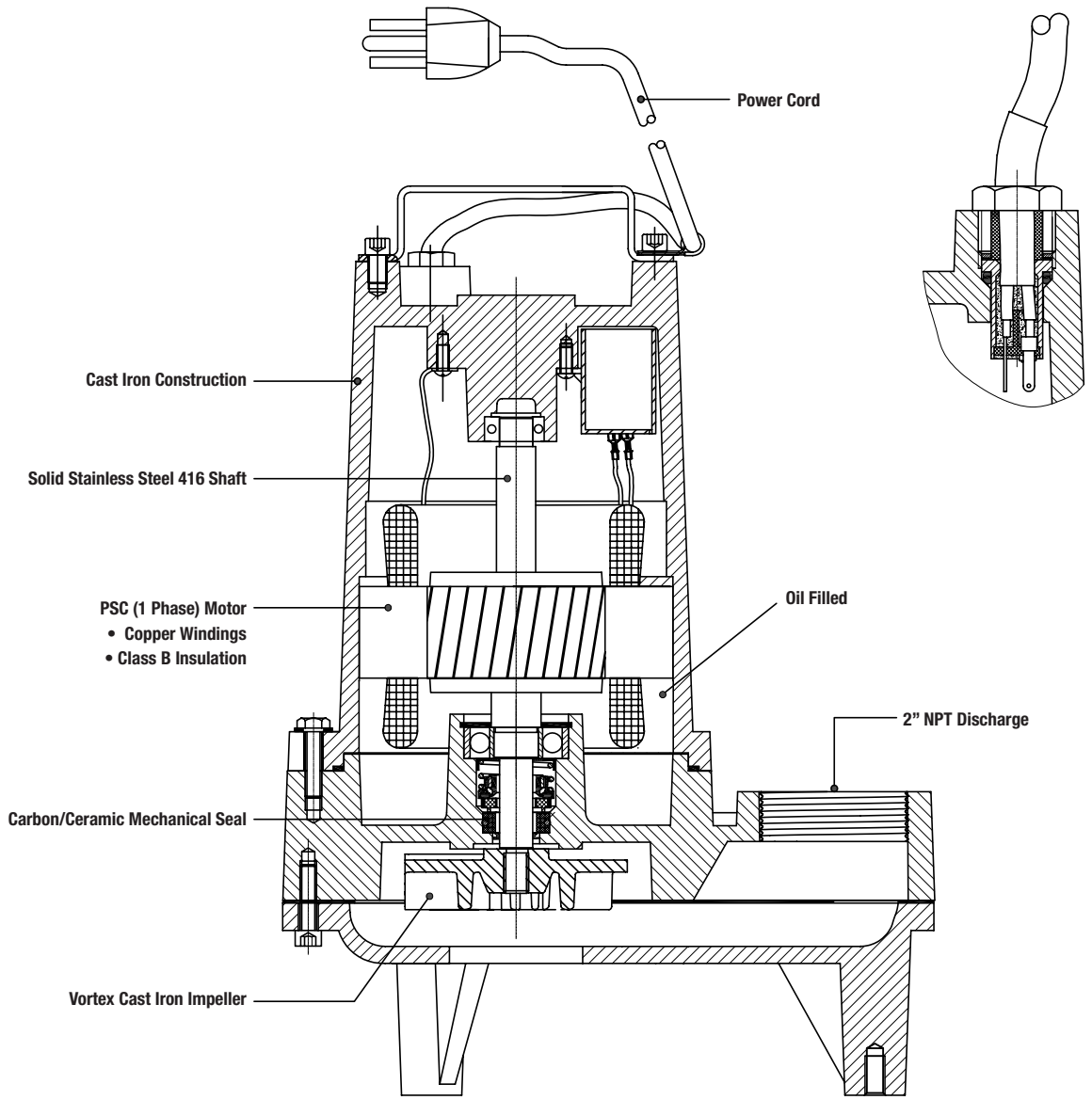
- Heavy duty cast iron construction
- Continuous duty rated PSC motor
- Recessed vortex cast iron impeller
- Upper and lower ball bearing design
- 3/4" solids handling
- 2" NPT discharge

### Specifications

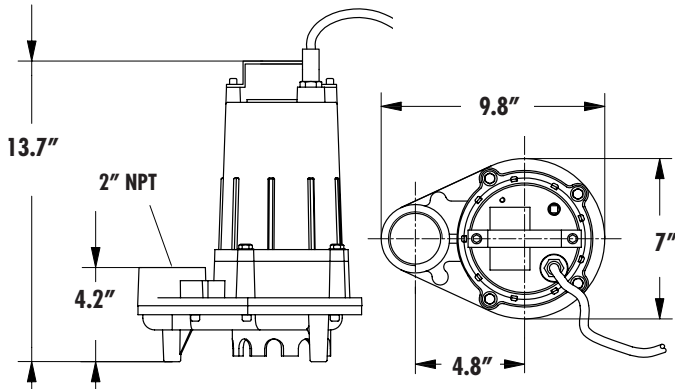
Physical Data:	
DISCHARGE SIZE	2" NPT
IMPELLER TYPE	Recessed Cast Iron Vortex
CABLE LENGTH	20'
Liquid Handling:	
MAXIMUM LIQUID TEMP.	104°F – Intermittent
ACCEPTABLE PH RANGE	6-8
Temperature:	
MAXIMUM STATOR	130°C
Technical Data:	
POWER CORD TYPE	SJTW
SENSOR CORD TYPE	16/3C
MOTOR HOUSING	Cast Iron
CASING	Cast Iron
IMPELLER	Cast Iron
MOTOR SHAFT	SS430
HARDWARE	SST
"O" RINGS	NBR
MECHANICAL SEAL	Single Mechanical, Carbon Ceramic
UPPER BEARING	6000
LOWER BEARING	6203

### Specifications

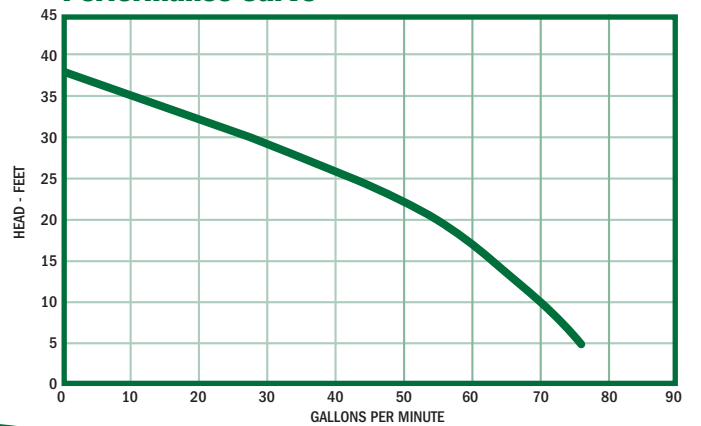
Model	HP	Hz	Volts/Ph	RPM	Full Load Amps	Nema Start Code	Cord Type	Cord Power Size	Cord O.D.
EP40M1-20	4/10	60	115	3450	9.0	P	SJTW 18/3C	16AWG/3C	.34
EP40M2-20	4/10	60	230	3450	4.5	P	SJTW 18/3C	16AWG/3C	.34
EP40W1-20	4/10	60	115	3450	9.0	P	SJTW 18/3C	16AWG/3C	.34
EP40W2-20	4/10	60	230	3450	4.5	P	SJTW 18/3C	16AWG/3C	.34



### Dimensions



### Performance Curve



P U M P

*Honest, Professional, Dependable*

1899 Cottage Street, Ashland, Ohio 44805  
 Telephone: 855 281-6830 · Fax: 877 326-1994 · ashlandpump.com