



INFILTRATOR®
systems inc.

Quick4^{PLUS}
CHAMBER SYSTEMS

The Quick4[®] Plus Standard Low Profile (LP) Chamber

Quick4 Plus™ Series

The Quick4 Plus Standard Low Profile (LP) offers maximum strength through its four center structural columns. This chamber can be installed in a 36-inch-wide trench. It is shorter in height than Infiltrator's other Standard model chambers, allowing for shallower installation. Like the original line of Quick4 chambers, it offers advanced contouring capability with its Contour Swivel Connection™, which permits turns up to 15°, right or left. The Quick4 Plus All-in-One 8 and Quick4 Plus Endcaps provide increased flexibility in system design and configurations.



Maximum Strength

Quick4 Plus Standard LP Chamber Specifications

Size

34"W x 53"L x 8"H
(864 mm x 1346 mm x 203 mm)

Effective Length

48" (1219 mm)

Louver Height

6.3" (160 mm)

Storage Capacity

32 gal (121 L)

Invert Height

3.3" (84 mm), 9.6" (244 mm)



Quick4 Plus Standard Low Profile (LP) Chamber Benefits:

- Low profile design makes this chamber ideal for shallow applications
- Reduces imported fill needed for cap and fill systems
- Four center structural columns offer superior strength
- Advanced contouring connections
- Latching mechanism allows for quick installation
- Four-foot chamber lengths are easy to handle and install
- Supports wheel loads of 16,000 lbs/axle with 12" of cover

Quick4 Plus All-in-One Periscope Benefits:

- Allows for raised invert installations
- 180° directional inletting
- 12" raised invert is ideal for serial applications



Quick4 Plus All-in-One 8 Endcap Benefits:

- May be used at the end of chamber row for an inlet/outlet or can be installed mid-trench
- Mid-trench connection feature allows center feed inletting of chamber rows
- Center-feed connection allows for easy installation of serial distribution systems
- Variable pipe connection options allow for side, end or top inletting
- Piping drill points are set for gravity or pressure pipe

Quick4 Plus Endcap Benefits:

- Simple, flat design
- Allows installation of a pipe from the end only
- Piping drill points are set for gravity or pressure pipe

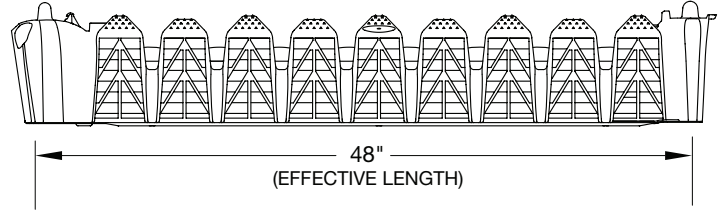
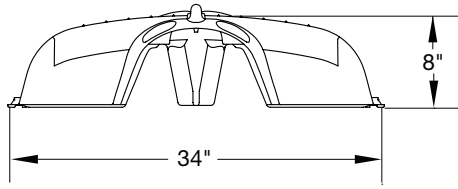


Certified by the International Association of Plumbing and Mechanical Officials (IAPMO)

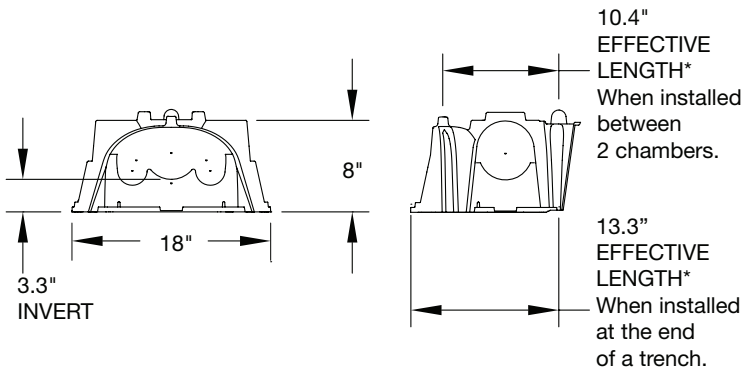


APPROVED in _____

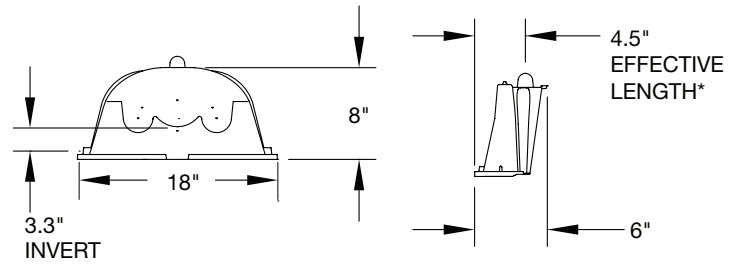
Quick4 Plus Standard Low Profile Chamber



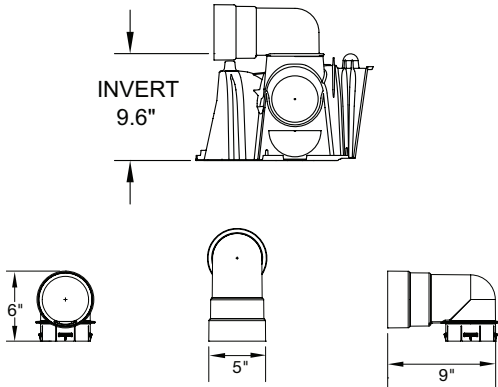
Quick4 Plus All-in-One 8 Endcap



Quick4 Plus Endcap



Quick4 Plus All-in-One Periscope



INFILTRATOR SYSTEMS, INC. STANDARD LIMITED WARRANTY

- (a) The structural integrity of each chamber, endcap and other accessory manufactured by Infiltrator ("Units"), when installed and operated in a leachfield of an onsite septic system in accordance with Infiltrator's instructions, is warranted to the original purchaser ("Holder") against defective materials and workmanship for one year from the date that the septic permit is issued for the septic system containing the Units; provided, however, that if a septic permit is not required by applicable law, the warranty period will begin upon the date that installation of the septic system commences. To exercise its warranty rights, Holder must notify Infiltrator in writing at its Corporate Headquarters in Old Saybrook, Connecticut within fifteen (15) days of the alleged defect. Infiltrator will supply replacement Units for Units determined by Infiltrator to be covered by this Limited Warranty. Infiltrator's liability specifically excludes the cost of removal and/or installation of the Units.
- (b) THE LIMITED WARRANTY AND REMEDIES IN SUBPARAGRAPH (a) ARE EXCLUSIVE. THERE ARE NO OTHER WARRANTIES WITH RESPECT TO THE UNITS, INCLUDING NO IMPLIED WARRANTIES OF MERCHANTABILITY OR FITNESS FOR A PARTICULAR PURPOSE
- (c) This Limited Warranty shall be void if any part of the chamber system is manufactured by anyone other than Infiltrator. The Limited Warranty does not extend to incidental, consequential, special or indirect damages. Infiltrator shall not be liable for penalties or liquidated damages, including loss of production and profits, labor and materials, overhead costs, or other losses or expenses incurred by the Holder or any third party. Specifically excluded from Limited Warranty coverage are damage to the Units due to ordinary wear and tear, alteration, accident, misuse, abuse or neglect of the Units; the Units being subjected to vehicle traffic or other conditions which are not permitted by the installation instructions; failure to maintain the minimum ground covers set forth in the installation instructions; the placement of improper materials into the system containing the Units; failure of the Units or the septic system due to improper siting or improper sizing, excessive water usage, improper grease disposal, or improper operation; or any other event not caused by Infiltrator. This Limited Warranty shall be void if the Holder fails to comply with all of the terms set forth in this Limited Warranty. Further, in no event shall Infiltrator be responsible for any loss or damage to the Holder, the Units, or any third party resulting from installation or shipment, or from any product liability claims of Holder or any third party. For this Limited Warranty to apply, the Units must be installed in accordance with all site conditions required by state and local codes; all other applicable laws; and Infiltrator's installation instructions.
- (d) No representative of Infiltrator has the authority to change or extend this Limited Warranty. No warranty applies to any party other than the original Holder.

The above represents the Standard Limited Warranty offered by Infiltrator. A limited number of states and counties have different warranty requirements. Any purchaser of Units should contact Infiltrator's Corporate Headquarters in Old Saybrook, Connecticut, prior to such purchase, to obtain a copy of the applicable warranty, and should carefully read that warranty prior to the purchase of Units.

INFILTRATOR
systems inc.

4 Business Park Road
P.O. Box 768
Old Saybrook, CT 06475
860-577-7000 • Fax 860-577-7001
1-800-221-4436
www.infiltratorsystems.com

U.S. Patents: 4,759,661; 5,017,041; 5,156,488; 5,336,017; 5,401,116; 5,401,459; 5,511,903; 5,716,163; 5,588,778; 5,839,844 Canadian Patents: 1,329,959; 2,004,564 Other patents pending. Infiltrator, Equalizer, Quick4, and SideWinder are registered trademarks of Infiltrator Systems Inc. Infiltrator is a registered trademark in France. Infiltrator Systems Inc. is a registered trademark in Mexico. Contour, MicroLeaching, PolyTuff, ChamberSpacer, MultiPort, PosiLock, QuickCut, QuickPlay, SnapLock and StraightLock are trademarks of Infiltrator Systems Inc. PolyLok is a trademark of PolyLok, Inc. TUF-TITE is a registered trademark of TUF-TITE, INC. Ultra-Rib is a trademark of IPEX Inc.

© 2013 Infiltrator Systems Inc. All rights reserved. Printed in U.S.A.

PLUS01 0813