

**Submersible Effluent Pumps
2" Discharge, 3/4" Spherical Solids, 0.5HP**



DISCHARGE	2" NPT Female, Vertical
LIQUID TEMPERATURE	104°F Continuous
MOTOR HOUSING	Cast Iron, Class 30
VOLUTE	Cast Iron, Class 30
IMPELLER	Single vane enclosed Polypropylene with stainless steel insert
SOLIDS HANDLING	3/4" spherical
SHAFT	Stainless steel
SEALPLATE	Cast Iron, Class 30
SQUARE RINGS	Buna-N
HARDWARE	Stainless steel
SEAL	Outboard, Single mechanical, Oil Filled Carbon/Ceramic/Buna-N
UPPER BEARING	Single row, ball, oil lubricated
LOWER BEARING	Single row, ball, oil lubricated
POWER CORD	20 Ft. Cord with plug on 120 & 240 volt. Fast Disconnect Design
MOTOR	Class B Insulation, Oil Filled
SINGLE PHASE	Permanant split capacitor Includes overload protection in motor

**Series: PFSTEP512,
PFSTEP522**

**1/2 HP, 3450 RPM, 60 Hz
Submersible Effluent Pumps**

Description

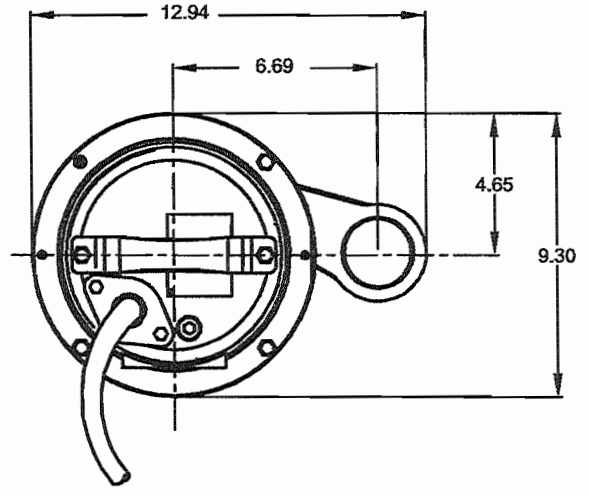
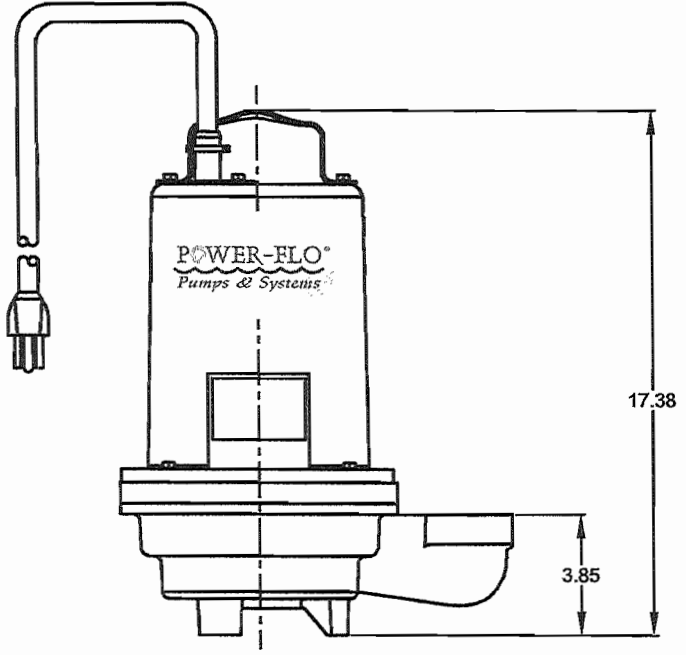
Pump is designed for handling sewage effluent in typical septic tank/effluent applications.



Series: PFSTEP



Submersible Effluent Pumps
2" Discharge, 3/4" Spherical Solids, 0.5 HP



HP	HP	Volt/PH	Hz	RPM (Nom)	NEMA Start Code	Full Load Amps	Locked Rotor Amps	Cord Size	Cord Type	Cord O.D
PFSTEP512	.50	120/1	60	3450	G	14.0	24.7	14/3	SJTOW	.37
PFSTEP522	.50	230/1	60	3450	E	7.0	10.2	14/3	SOW	.53

