

### APPLICATIONS

- Sewage and effluent wastewater transfer • Dewatering



### FEATURES

- Permanent Split Capacitor (PSC)
- Designed for continuous duty
- 3" FNPT (76.2 mm) discharge
- Handles solids up to 2" (51 mm) diameter
- 140 °F (60 °C) liquid temperature rating
- cCSAus listed

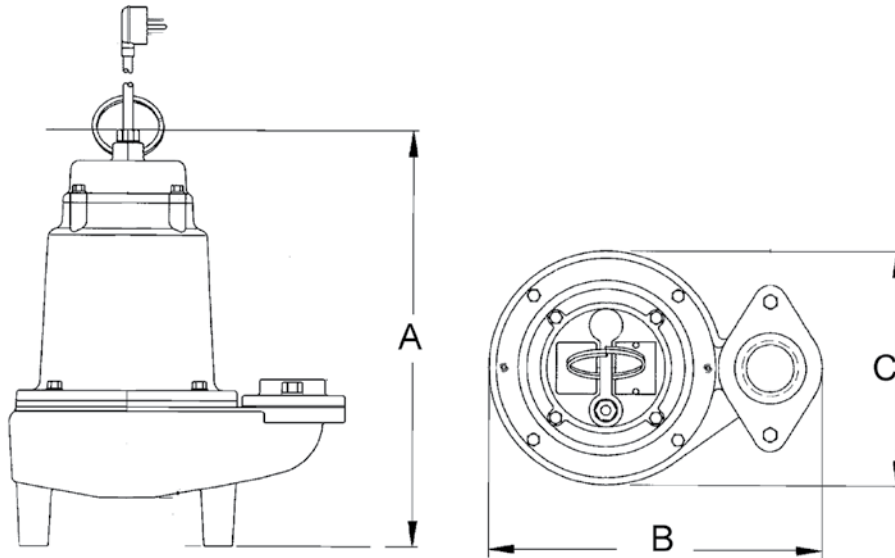
### SERIES SPECIFICATIONS

Volts	Hz	Amps		Watts	Performance (GPM @ Height in Feet)			Shut-Off (ft)	PSI
		FLA	Start		10'	20'	30'		
200-208	60	6.8	21	1500	160	100	40	35	15.1
208	60	11	18	2000	160	100	40	35	15.1
230	60	11	19.2	1900	160	100	40	35	15.1
230*	60	6.3	17.7	1500	160	100	40	35	15.1
380-460	50/60	3	9	850	160	100	40	35	15.1
575	60	2.5	7.2	1550	160	100	40	35	15.1

Item No.	Model	HP	Volts	Stages	Switch Type/ Operation	Cord	Weight
514750	16S-CIM	1	200-208	3	Manual	20' 6.1 m	88 lbs 39.92 Kg
514625*	16S-CIM	1	200-208	1	Manual	20' 6.1 m	88 lbs 39.92 Kg
514620	16S-CIM	1	230	1	Manual	20' 6.1 m	94 lbs 42.64 Kg
514720*	16S-CIM	1	230	1	Manual	20' 6.1 m	89 lbs 40.37 Kg
514630	16S-CIM	1	230	1	Manual	20' 6.1 m	95 lbs 43.09 Kg
514730	16S-CIM	1	380-460	3	Manual	20' 6.1 m	90 lbs 40.82 Kg
514740	16S-CIM	1	575	3	Manual	20' 6.1 m	88 lbs 39.92 Kg

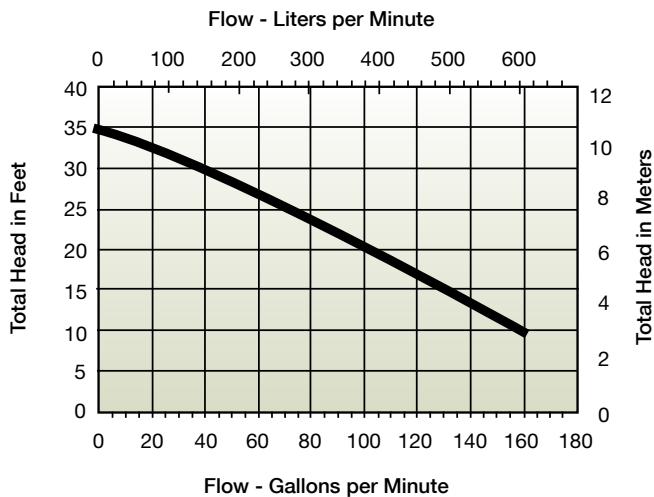
\* 3-phase

ENGINEERING DATA



A	B	C
16.15" 41.02 cm	14.07" 35.74 cm	9.89" 25.12 cm

PERFORMANCE DATA



CONSTRUCTION

<b>Motor Housing</b>	Epoxy-coated cast iron
<b>Impeller Material</b>	Epoxy-coated cast iron
<b>Impeller Type</b>	Two-vane, non-clog
<b>Volute</b>	Epoxy-coated cast iron
<b>Mechanical Shaft Seal</b>	Nitrile with carbon and ceramic faces
<b>Fasteners</b>	Stainless steel
<b>Shaft</b>	Stainless steel
<b>Bearings</b>	Upper and lower ball bearings
<b>Power Cord</b>	16/3 or 18/4, SOW or STW