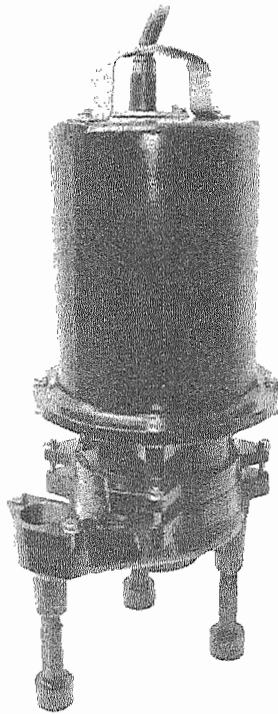


**Submersible Grinder Pumps  
1-1/4" Discharge, 2 HP, High-Head & High-Volume**



<b>DISCHARGE</b>	1-1/4" NPT Vertical, Bolt-on Flange
<b>LIQUID TEMPERATURE</b>	160°F Intermittent
<b>VOLUTE</b>	Cast Iron, Class 30
<b>MOTOR HOUSING</b>	Cast Iron, Class 30
<b>SEAL PLATE</b>	Cast Iron, Class 30
<b>IMPELLER</b>	12 Vane, Vortex, Bronze
<b>SHREDDING RING</b>	Stainless Steel
<b>CUTTER</b>	Stainless Steel
<b>SHAFT</b>	Stainless Steel
<b>SQUARE RINGS</b>	Buna-N
<b>HARDWARE</b>	Stainless Steel
<b>PAINT</b>	Powder Coated - Industrial Grade
<b>SEAL</b>	Tandem Double Mechanical, Carbon/Ceramic/Buna-N
<b>UPPER BEARING</b>	Single row, Ball, Oil Lubricated
<b>INTERMEDIATE BEARING</b>	Single row, Ball, Oil Lubricated
<b>LOWER BEARING</b>	Sleeve, Oil Lubricated
<b>POWER CORD</b>	20 ft. Custom Molded, Fast Disconnect, for Sealing and Strain Relief. CSA approved, 12/4 Type SOW
<b>MOTOR</b>	Oil Filled, Squirrel Cage Induction, Class B Insulation
<b>SINGLE PHASE</b>	Capacitor Start/Capacitor Run. Includes overload protection in the motor. Requires starter or control panel which includes capacitors.
<b>THREE PHASE</b>	Dual Voltage 230/460.

**Series: PFG2002HV & HH  
PFG2022HV & HH  
PFG2062HV & HH  
PFG2032HV & HH  
PFG2042HV & HH**

**2 HP • 3450 RPM • 60 Hz  
Submersible Grinder Pump**

**Description**

Designed to reduce domestic, commercial, institutional and light industrial sewage to a finely ground slurry.

NOTE: Consult factory before making modifications as they may effect CSA listing.

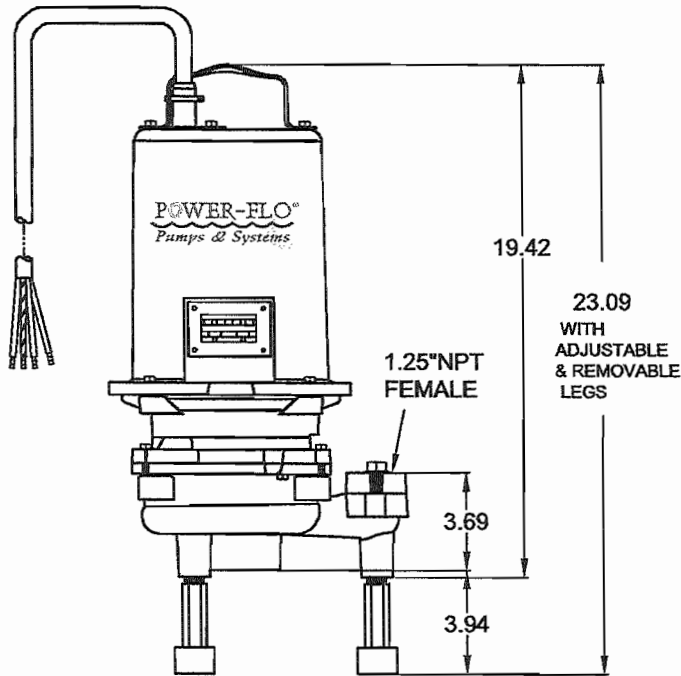
See Pages 8A, 8B, 8C for Models with Moisture Sensors (MS).



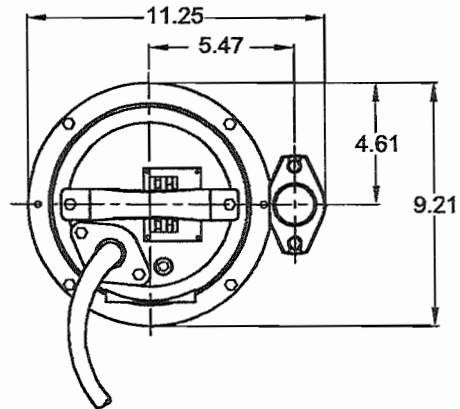
# Series: PFG-HH, HV



**Submersible Grinder Pumps**  
**1-1/4" Discharge, 2 HP, High-Head & High-Volume**



**IMPORTANT!** - Pump Suction **MUST** be a minimum of 4" from basin floor with use of legs, stand or slide rail system.



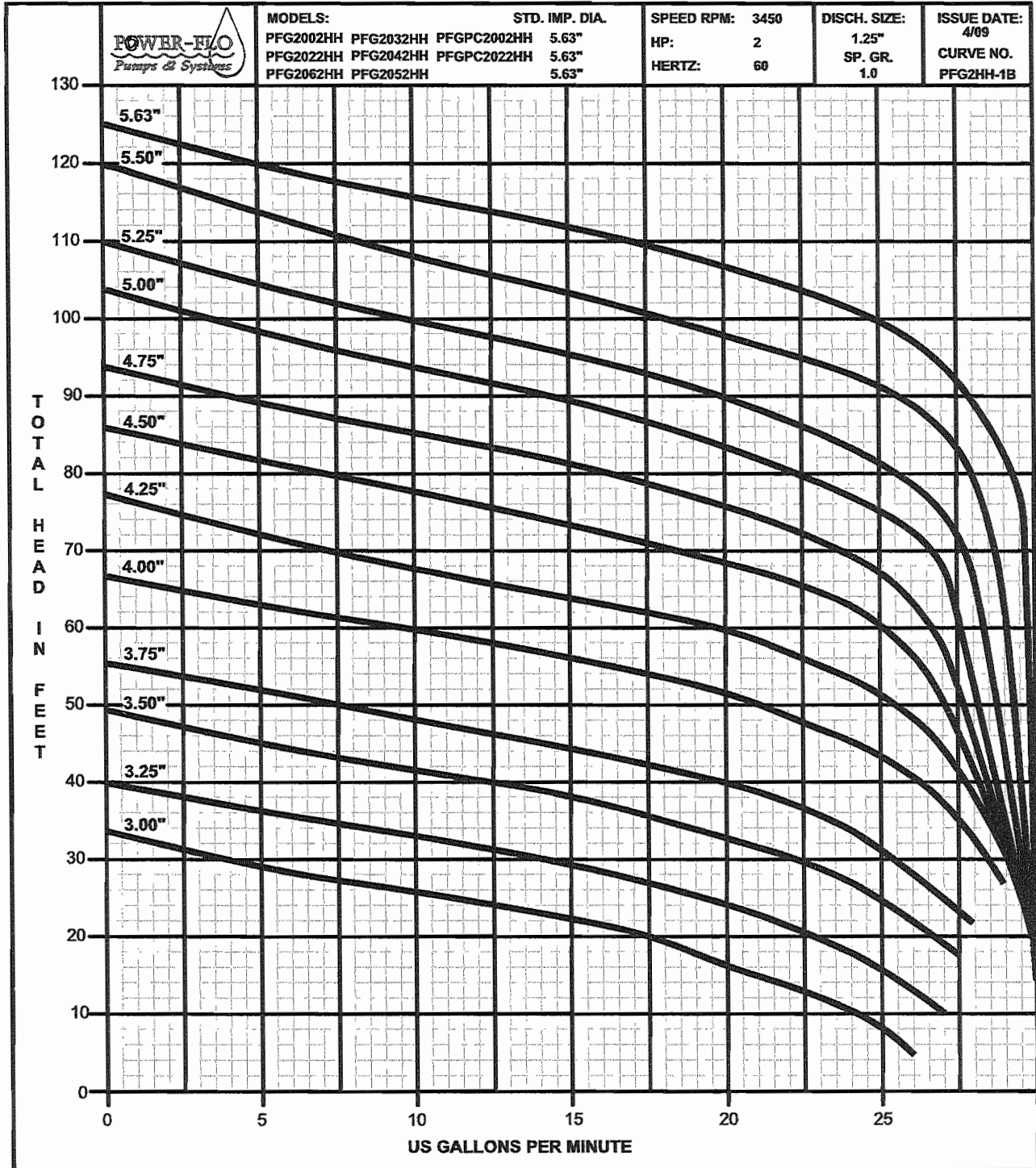
MODEL	HP	Hz	Volts/Ph	RPM	Full Load Amps	Locked Rotor Amps	NEMA Start Code	Cord Type	Cord Size	Cord O.D.
<b>High Volume</b>										
PFG2002HV	2	60	200/1	3450	17.0	53.0	F	SOW	12/4	.67
PFG2022HV	2	60	230/1	3450	15.0	53.8	H	SOW	12/4	.67
PFG2062HV	2	60	200/3	3450	11.0	42.0	J	SOW	12/4	.67
PFG2032HV	2	60	230/3	3450	9.0	36.0	J	SOW	12/4	.67
PFG2042HV	2	60	460/3	3450	4.0	18.0	J	SOW	12/4	.67
<b>High Head</b>										
PFG2002HH	2	60	200/1	3450	17.0	53.0	F	SOW	12/4	.67
PFG2022HH	2	60	230/1	3450	15.0	53.8	H	SOW	12/4	.67
PFG2062HH	2	60	200/3	3450	11.0	42.0	J	SOW	12/4	.67
PFG2032HH	2	60	230/3	3450	9.0	36.0	J	SOW	12/4	.67
PFG2042HH	2	60	460/3	3450	4.0	18.0	J	SOW	12/4	.67

See Pages 8A, 8B, 8C for Models with Moisture Sensors (MS).

**IMPORTANT!**

These pumps are not approved for use in swimming pools, recreational water parks, or installations where human contact with pumped media is a common occurrence.

**Submersible Grinder Pumps  
1-1/4" Discharge, 2 HP, High-Head**



# Series: PFG-HV

Submersible Grinder Pumps  
1-1/4" Discharge, 2 HP, High-Volume

