

EFFLUENT PUMPS

Model: EP45



Features

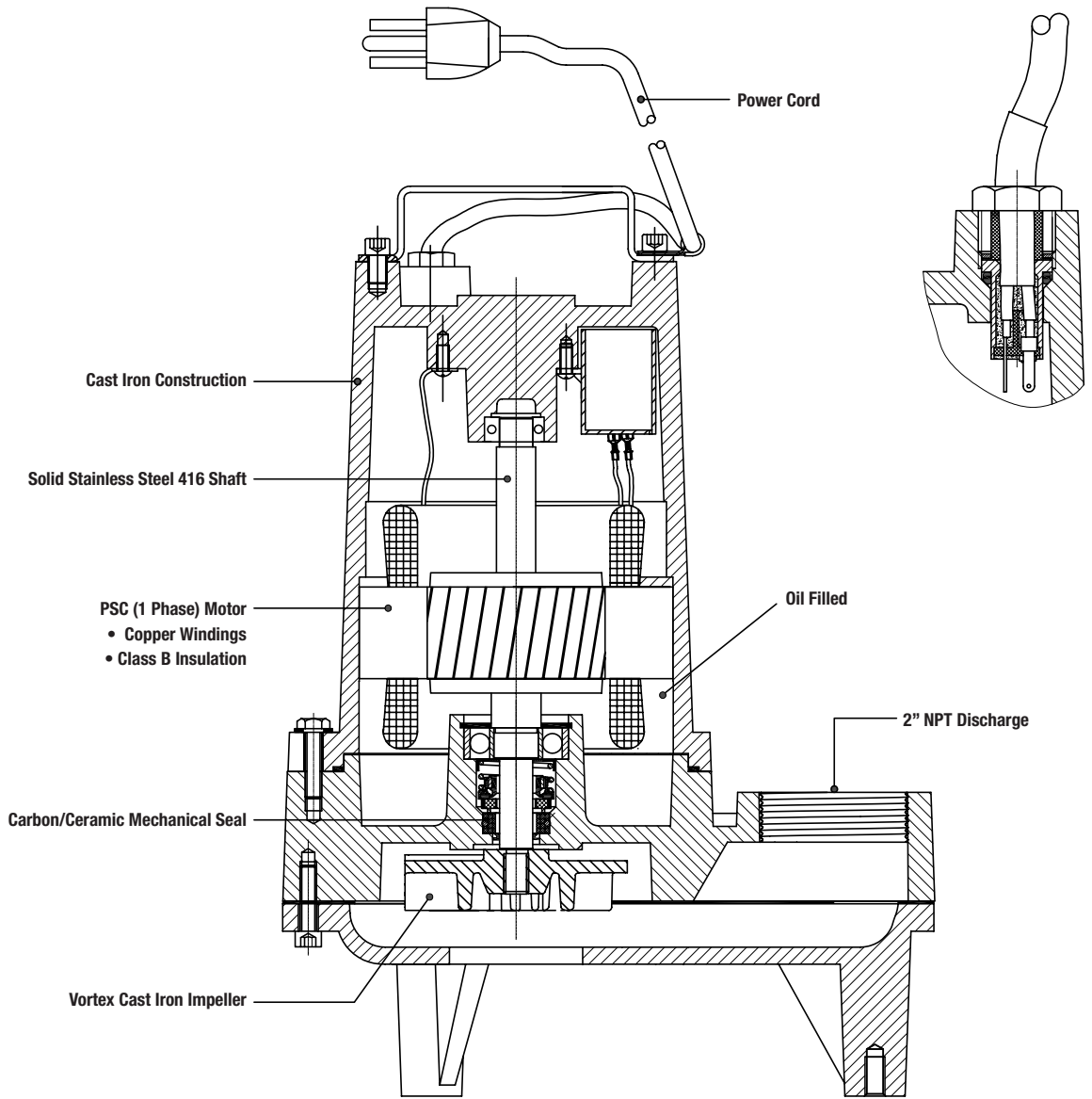
- Heavy duty cast iron construction
- Continuous duty rated PSC motor
- Recessed vortex cast iron impeller
- Upper and lower ball bearing design
- 3/4" solids handling
- 2" NPT discharge

Specifications

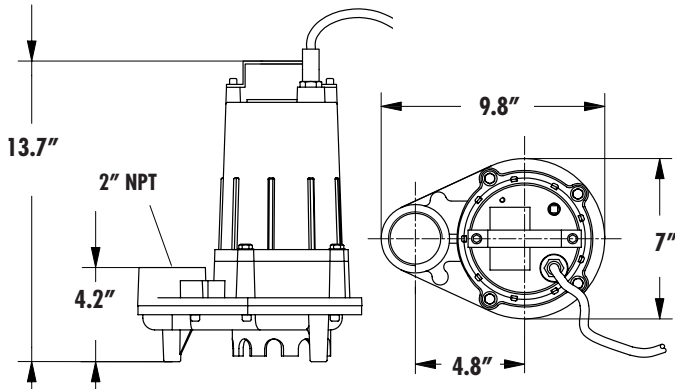
Physical Data:	
DISCHARGE SIZE	2" NPT
IMPELLER TYPE	Recessed Cast Iron Vortex
CABLE LENGTH	20'
Liquid Handling:	
MAXIMUM LIQUID TEMP.	104°F – Intermittent
ACCEPTABLE PH RANGE	6-8
Temperature:	
MAXIMUM STATOR	130°C
Technical Data:	
POWER CORD TYPE	SJTW
SENSOR CORD TYPE	16/3C
MOTOR HOUSING	Cast Iron
CASING	Cast Iron
IMPELLER	Cast Iron
MOTOR SHAFT	SS430
HARDWARE	SST
"O" RINGS	NBR
MECHANICAL SEAL	Single Mechanical, Carbon Ceramic
UPPER BEARING	6000
LOWER BEARING	6203

Specifications

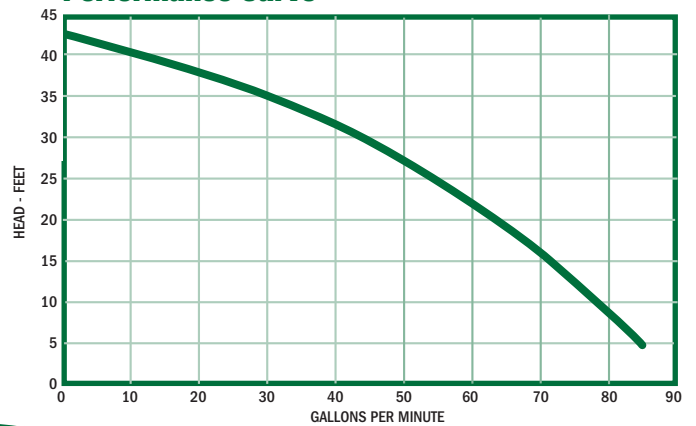
Model	HP	Hz	Volts/Ph	RPM	Full Load Amps	Nema Start Code	Cord Type	Cord Power Size	Cord O.D.
EP45M1-20	1/2	60	115	3450	11.0	P	SJTW 18/3C	16AWG/3C	.34
EP45M2-20	1/2	60	230	3450	5.5	P	SJTW 18/3C	16AWG/3C	.34
EP45W1-20	1/2	60	115	3450	11.0	P	SJTW 18/3C	16AWG/3C	.34
EP45W2-20	1/2	60	230	3450	5.5	P	SJTW 18/3C	16AWG/3C	.34



Dimensions



Performance Curve



P U M P

Honest, Professional, Dependable

1899 Cottage Street, Ashland, Ohio 44805
 Telephone: 855 281-6830 · Fax: 877 326-1994 · ashlandpump.com