

EFFLUENT PUMPS  
**Model: EPF30**



**Features**

- Heavy duty cast iron construction
- 3/10 HP continuous duty rated PSA motor
- Recessed cast iron vortex impeller
- 3/4" solids handling
- 2" NPT discharge

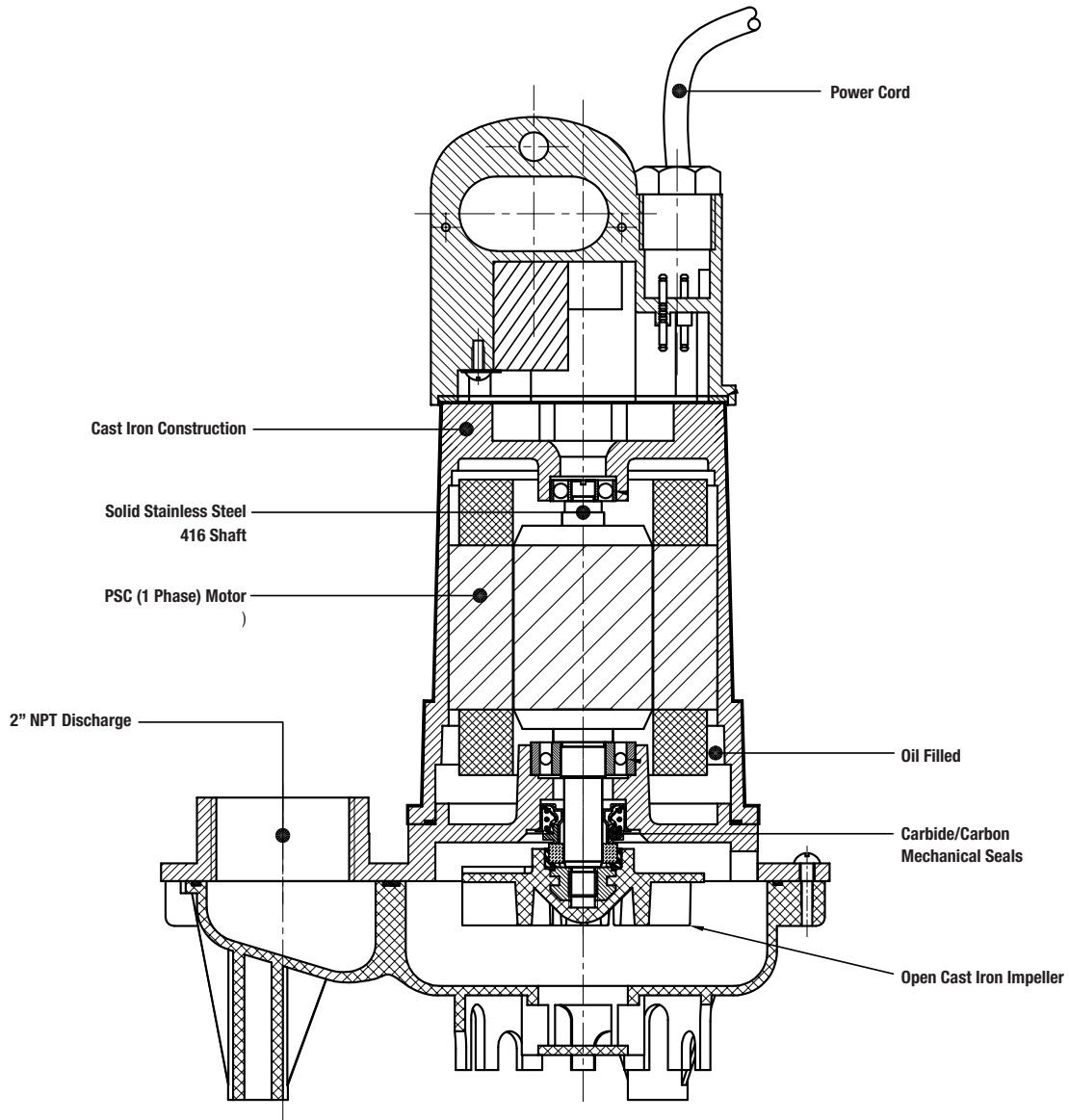
**Specifications**

Physical Data:	
DISCHARGE SIZE	2" NPT
IMPELLER TYPE	Recessed Cast Iron Vortex
CABLE LENGTH	20'
Liquid Handling:	
MAXIMUM LIQUID TEMP.	104°F – Intermittent
ACCEPTABLE PH RANGE	6-8
Temperature:	
MAXIMUM STATOR	130°C
Technical Data:	
POWER CORD TYPE	SJTW
SENSOR CORD TYPE	18/3C
MOTOR HOUSING	Cast Iron
CASING	Cast Iron
IMPELLER	Cast Iron
MOTOR SHAFT	SS430
HARDWARE	SST
"O" RINGS	NBR
MECHANICAL SEAL	Single Mechanical, Carbon Ceramic
UPPER BEARING	608-2RS
LOWER BEARING	6202

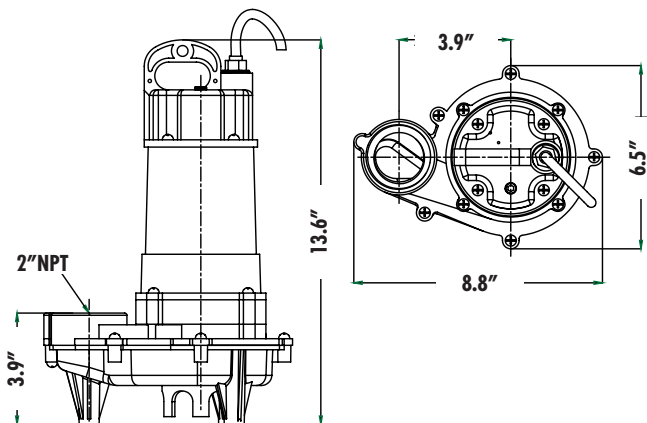
**Specifications**

Model	HP	Hz	Volts/Ph	RPM	Full Load Amps	Nema Start Code	Cord Type	Cord Power Size	Cord O.D.
EPF30M1-20	3/10	60	115	3450	8.0	P	SJTW 18/3C	18AWG/3C	.34
EPF30M2-20	3/10	60	230	3450	4.0	P	SJTW 18/3C	18AWG/3C	.34
EPF30W1-20	3/10	60	115	3450	8.0	P	SJTW 18/3C	18AWG/3C	.34
EPF30W2-20	3/10	60	230	3450	4.0	P	SJTW 18/3C	18AWG/3C	.34

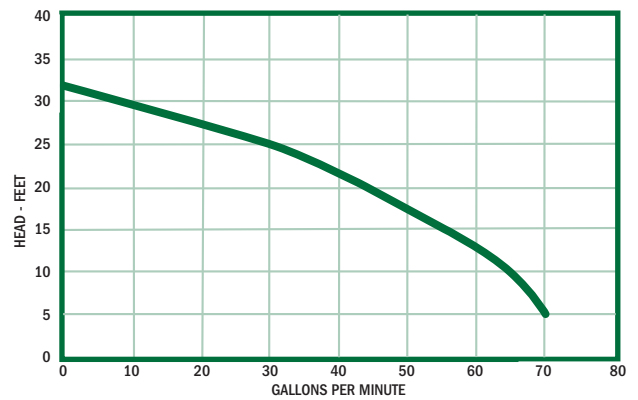
# Features



# Dimensions



# Performance Curve



P U M P

*Honest, Professional, Dependable*

1899 Cottage Street, Ashland, Ohio 44805  
 Telephone: 855 281-6830 · Fax: 877 326-1994 · ashlandpump.com