

Pump-Guard™ High Alarm Panel

Single Phase, 120/240VAC | Type 4X Enclosure

Models: PG120 and PG240



QUICK START GUIDE

OSG00513_Rev02_Pump-Guard 2-Breaker Control Panel | December 30, 2024 4:29 PM

Safety Guidelines



WARNING

Before proceeding with the installation or operation of this product, read all instructions thoroughly, as well as complying with all federal, state and local codes, regulations, and practices. This product must be installed by qualified personnel familiar with all applicable local electrical and mechanical codes. Refer to the National Electrical Code (NEC) (NFPA 70). Failure to properly install, test, and operate this product can result in personal injury or equipment malfunction.

1. DISCONNECT POWER when installing or servicing the product. Failure to disconnect all power sources could result in serious injury or death.
2. NEVER enter a flooded space without proper Personal Protective Equipment (PPE). Always wear dielectric rubber boots and other applicable protective equipment when water is on the floor and you must service an energized pump, alarm system, or product.
3. DO NOT enter the water if the water level is higher than that of the protection your PPE offers or if your PPE is not watertight.
4. DO NOT use or install this product with or near flammable liquids.
5. DO NOT use or install this product in locations classified as hazardous or in explosive atmospheres as defined by any applicable electrical safety code.

Step 1: Installation

Use this quick start guide as reference to match up each component included to the correct terminals inside the sensor panel shown in each step.

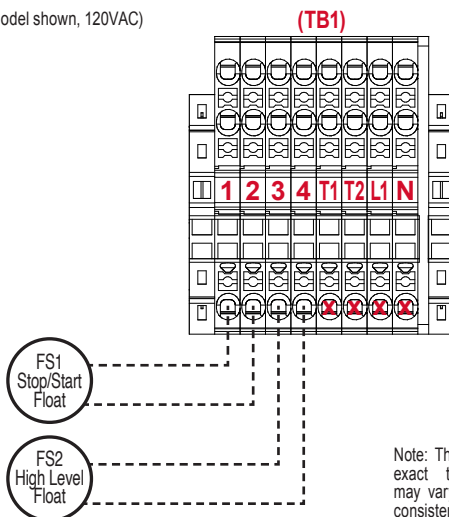
1. Mount and secure the sensor panel in the desired location. Recommended to use four (4) screws (not included) and wall mount anchors (not included) if necessary.
2. Install using the appropriate conduit connections. Make sure all conduits are sealed and waterproof per local codes.
3. **WARNING:** Do not mix high and low voltage wires in the same conduit or junction box, failure to do so will cause system failure. Follow NEC requirements pertaining to separation of voltages if run in the same conduit.
4. Incoming alarm/control power must match the sensor panel voltage. Refer to included electrical schematic for complete wiring and voltage information.

Step 2: Wiring | Float Switches

Wire the sensors (signaling device) to the terminal blocks listed below and shown in the diagram for pump stop, pump start, and high level alarm.

- FS1-Stop/Start Float; Wire #1 = TB1:1
- FS1-Stop/Start Float; Wire #2 = TB1:2
- FS2-High Level Float; Wire #1 = TB1:3
- FS2-High Level Float; Wire #2 = TB1:4

(PG120 model shown, 120VAC)



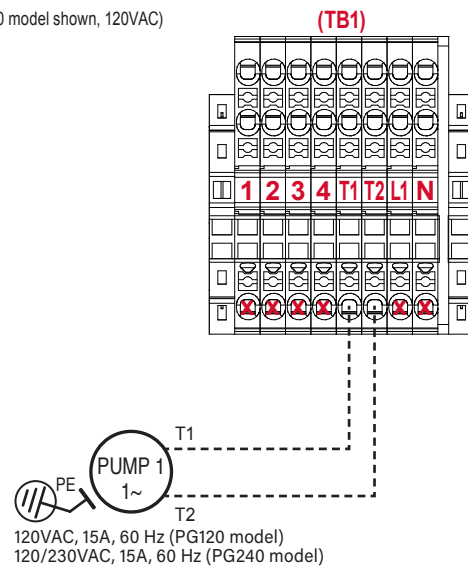
Note: The PG high alarm panel exact terminal block layout may vary, but TB1:1, 2, 3, 4 is consistent for wiring connections

Step 3: Wiring | Pump

Wire the pump connections (load) to the motor contactor terminals listed below and shown in the diagram.

- Pump Connection-T1 = TB1:T1
- Pump Connection-T2 = TB1:T2
- Ground Pump Motor PE = GND1 (control panel ground lug)

(PG120 model shown, 120VAC)

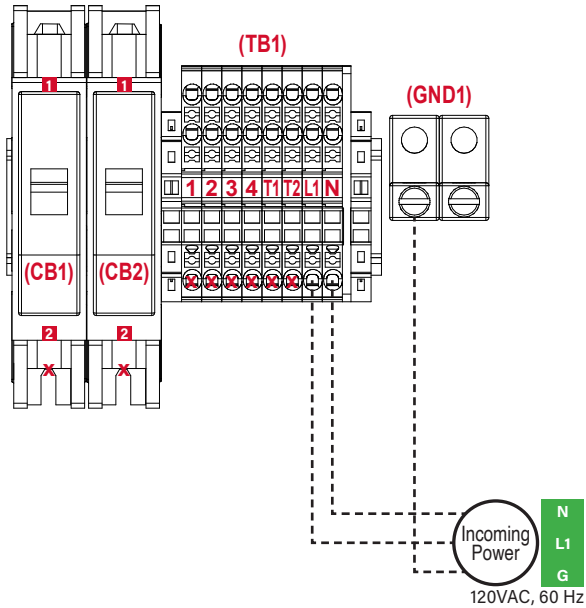


120VAC, 15A, 60 Hz (PG120 model)
120/230VAC, 15A, 60 Hz (PG240 model)

Step 4: Wiring | Incoming Power (PG120)

Wire the incoming alarm and pump/control power to the terminals listed below and shown in the diagram.

Incoming Pump/Alarm Power; Neutral (N) = TB1:N
 Incoming Pump/Alarm Power; Line (L1) = TB1:L1
 Incoming Pump/Alarm Power; Ground (G) = GND1

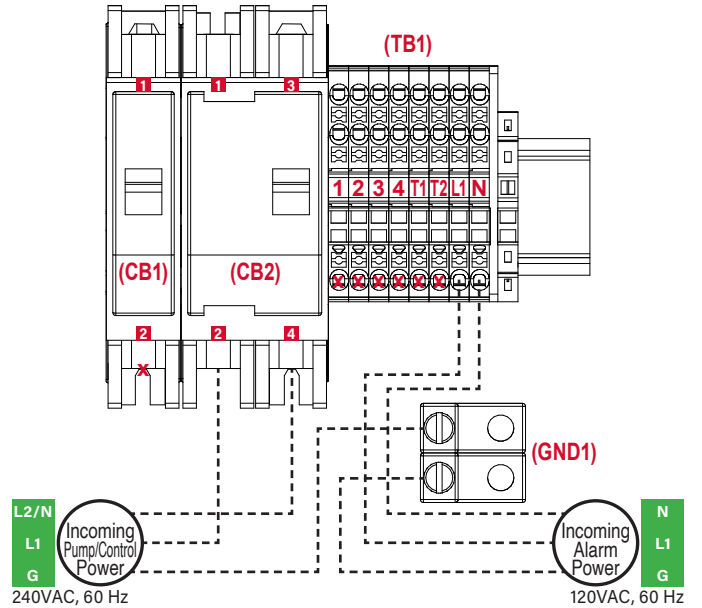


Step 5: Wiring | Incoming Power (PG240)

Wire the incoming alarm and pump/control power to the terminals listed below and shown in the diagram.

Incoming Alarm Power; Neutral (N) = TB1:N
 Incoming Alarm Power; Line (L1) = TB1:L1
 Incoming Alarm Power; Ground (G) = GND1

Incoming Pump/Control Power; Line (L2 on N) = CB2:4
 Incoming Pump/Control Power; Line (L1) = CB2:2
 Incoming Pump/Control Power; Ground (G) = GND1



Step 6: Power and Quick Test

After all wiring and installation steps are completed, verify the incoming voltage matches the panel schematic. Apply power to the panel.

- 1) Activate the alarm float, the buzzer should annunciate, red alarm beacon should illuminate. Make sure the Normal-Silence-Test switch is in the Normal position. While the alarm is activated, toggle the Normal-Silence-Test switch to the Silence position and the buzzer should silence. Toggle the Normal-Silence-Test switch to the Normal Position when finished testing.
- 2) Test the alarm by Toggling the Normal-Silence-Test switch to the Test position. The alarm should activate. Toggle the Normal-Silence-Test switch to the Normal position when finished testing.
- 3) Activate the pump on/off float, the pump should start.

Included with Product

- **Model:** PG120 or PG240

Panel Options

- **P – Pump Test Switch:** (may be installed – check model number on panel)

Customer Support

Online
alderonind.com

Email
info@alderonind.com

QR Code

Scan code for full product details, documents, and operating information



Specifications (standard; base model)

Pump-Guard™ High Alarm Panel

Primary Power:	120 VAC, 15 Amps (PG120) or 120/240 VAC, 15 Amps (PG240)
Phase Type:	Single Phase
Alarm Circuit Voltage:	120 VAC
Alarm Beacon:	Red Polycarbonate, 10 Watt, 120 VAC
Alarm Buzzer:	120VAC, 95dB at 2-feet
Normal-Silence-Test Switch:	120VAC, 6 Amp, Double Pole, Double Throw
Enclosure (inches):	Thermoplastic, 8x6x3, Type 4X (outdoor), Pad-Lockable
Certifications:	UL 508 (US and Canada)
Warranty:	Three-Year Limited Warranty