

GRINDER PUMPS

Model: AGP-HC200



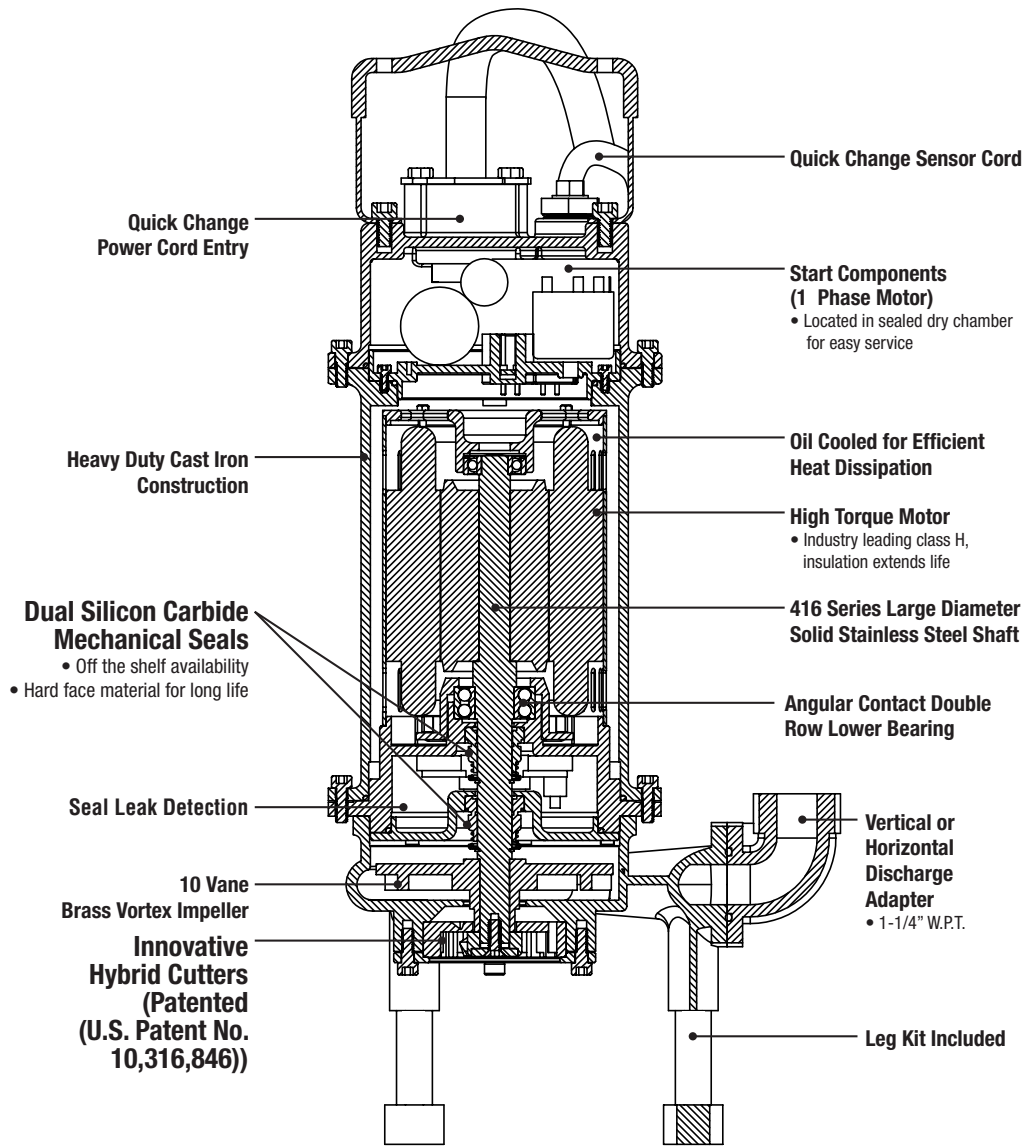
Physical Data:	
DISCHARGE SIZE	1-1/4" NPT + Flanged Horizontal with Vertical Adapter
IMPELLER TYPE	10-Vane, Vortex - Brass
CABLE LENGTH	35'
Liquid Handling:	
SOLIDS COMPOSITION	Domestic Wastewater with Fibrous Solids
MAXIMUM LIQUID TEMP.	140°F - Intermittent 104°F - Continuous
ACCEPTABLE PH RANGE	6-8
Temperature:	
WINDING INSULATION	145°C
INSULATION CLASS	H
Technical Data:	
POWER CORD TYPE	SOW
SENSOR CORD TYPE	12AWG/3C (1PH) 12AWG/4C (3PH) 18AWG - Quick Change
MOTOR HOUSING	Cast Iron
CASING	Cast Iron
IMPELLER	Brass
MOTOR SHAFT	416 SS
HARDWARE	SS
"O" RINGS	Vitron™
MECHANICAL SEALS	Dual Mechanical, SiC
UPPER BEARING	6303
LOWER BEARING	5205 Angular Contact (Double Row)
CUTTERS	440C SS- Case Hardened 58-60 Rockwell
Electrical Data:	
R.P.M.	3450
MOTOR TYPE	CSCR (1PH)
GEN INSULATION CLASS	H
STATOR WINDING CLASS	H
WINDING INSULATION TEMP	180°C
VOLTAGE TOLERANCE	±10%
HP	2
VOLTAGE	208, 230, 460
PHASE	1, 3
SERVICE FACTOR	1



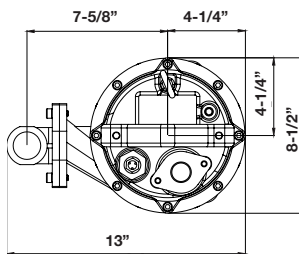
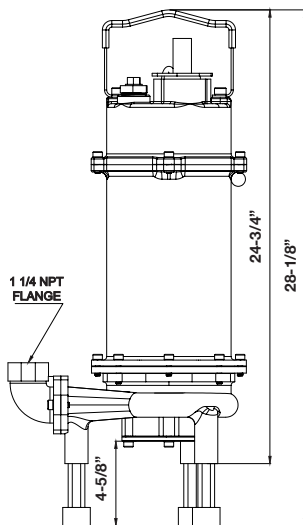
Hybrid cutting action shreds like no one else can using both axial and radial cutting. The asymmetric openings and serrated rotating cutter features: No Wrapping, No Clogging, Stays Sharp and is Simple to Maintain.

Specifications

MODEL	HP	HZ	VOLTS/PH	RPM	FULL LOAD AMPS	NEMA START CODE	CORD TYPE	POWER CORD SIZE	CORD O.D.	POTENTIAL RELAY	START CAPACITOR	RUN CAPACITOR
AGP-HC200M5-35	2	60	208/1	3450	20	G	SOW	12 AWG/3C	.6	SAMUSCO ECS225P	MARS 11068	MARS 12248
AGP-HC200M5E-35	2	60	208/1	3450	20	G	SOW	12 AWG/3C	.6	SAMUSCO ECS225P	MARS 11068	MARS 12248
AGP-HC200M6-35	2	60	208/3	3450	12	G	SOW	12 AWG/4C	.6	N/A	N/A	N/A
AGP-HC200M2-35	2	60	230/1	3450	18	G	SOW	12 AWG/3C	.6	SAMUSCO ECS225P	MARS 11068	MARS 12248
AGP-HC200M2E-35	2	60	230/1	3450	18	G	SOW	12AWG/3C	.6	SAMUSCO ECS225P	MARS 11068	MARS 12248
AGP-HC200M3-35	2	60	230/3	3450	12	G	SOW	12 AWG/4C	.65	N/A	N/A	N/A
AGP-HC200M4-35	2	60	460/3	3450	6	G	SOW	12 AWG/4C	.65	N/A	N/A	N/A

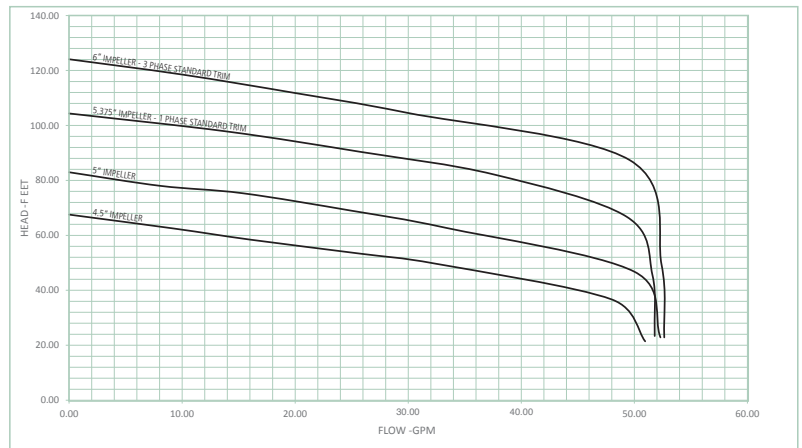


Dimensions



Overall Size (inches)
11-3/8 x 8-1/8 x 23

Performance Curve



P U M P

Honest, Professional, Dependable

1899 Cottage Street, Ashland, Ohio 44805
Telephone: 855 281-6830 · Fax: 877 326-1994 · ashlandpump.com