

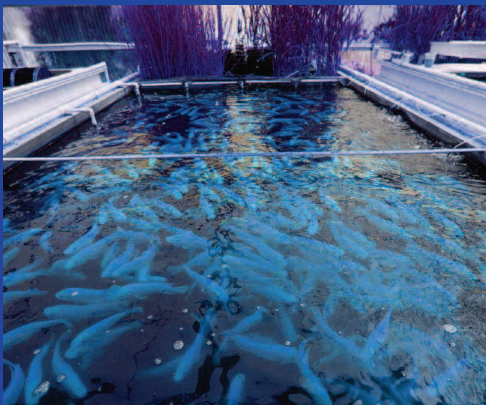


MEDO

Better Design. Better Manufacturing. *Better Value.*

LA Series Aerators

THE INDUSTRY'S
BEST BLOWERS
FOR TODAY'S
MOST DEMANDING
APPLICATIONS



LA-28B & LA-45B

COMPACT AIR BLOWERS

Ideal for liquid mixing (i.e., bubbling) and smaller aquaculture applications, Medo LA-28B and LA-45B are low noise, energy-efficient, easy-to maintain aerators that need no lubrication.

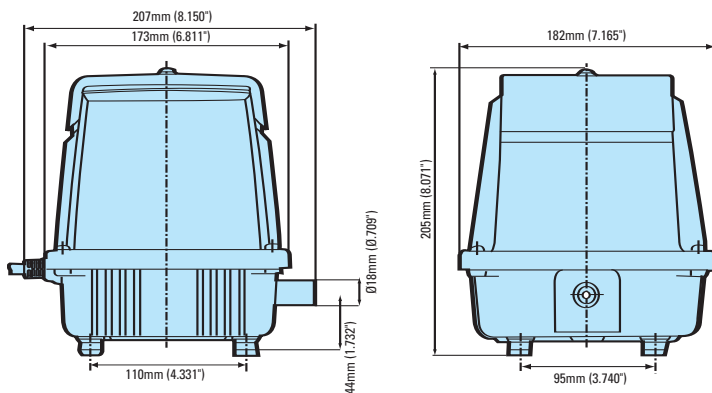
SPECIFICATIONS

Model	LA-28B	LA-45B
Power Supply	AC 120V, 220V, 230V, 240V	AC 120V, 220V, 230V, 240V
Rated Frequency	60 Hz	60 Hz
Rated Pressure	0.11 kgf/cm ² (1.56 psig)	0.11 kgf/cm ² (1.56 psig)
Rated Airflow	28 LPM or over	45 LPM or over
Power Consumption	25 W @ 60 Hz	45 W @ 60 Hz
Running Current	0.8 amps	1.0 amps
Weight	2.8 kg	3.0 kg



- Highly reliable, unique, die cast piston construction
- UL-approved for outdoor use
- Integrated grounded line cord
- Service life expectancy of 6 years with proper installation and periodic maintenance

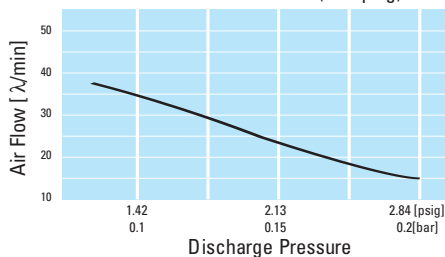
DIMENSIONS



AIR FLOW CHARACTERISTICS

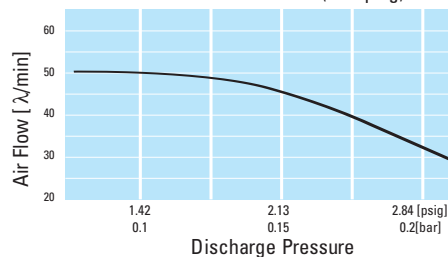
LA-28B

Rated Pressure : 0.11 bar (1.56 psig)



LA-45B

Rated Pressure : 0.11 bar (1.56 psig)



LA-60B

NEW!

MEDIUM AIR BLOWERS

Ideal for aquaculture, liquid mixer, and smaller wastewater applications, Medo LA-60B is a low noise, energy-efficient, easy-to maintain aerator that need no lubrication.

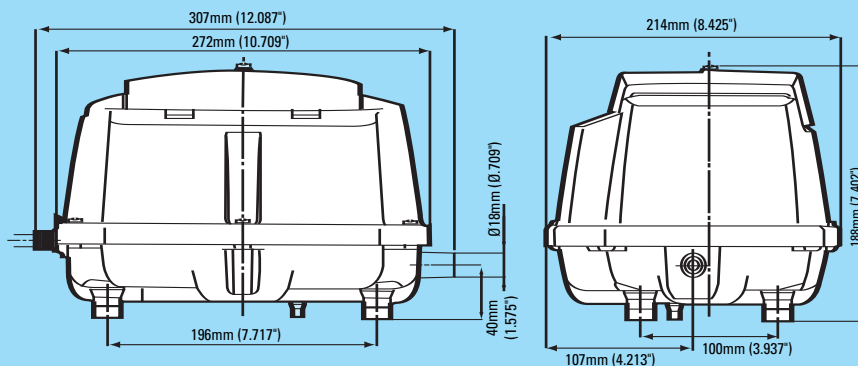
SPECIFICATIONS

<i>Model</i>	LA-60B
<i>Power Supply</i>	AC 120V
<i>Rated Frequency</i>	60 Hz
<i>Rated Pressure</i>	0.15 bar (2.13 psig)
<i>Rated Airflow</i>	60 ℓ /min (2.12 cfm) or over
<i>Power Consumption</i>	60 W @ 60 Hz
<i>Running Current</i>	1.2 – 1.4 amps
<i>Weight</i>	5.3 kg (11.7 lbs)



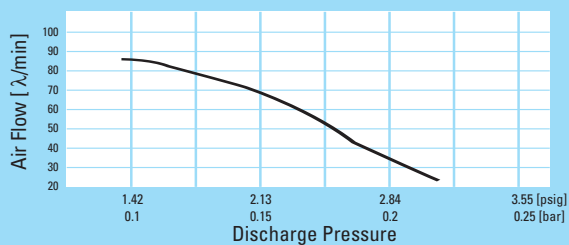
- Highly reliable, unique, die cast piston construction
- UL-approved for outdoor use
- Integrated grounded line cord
- Service life expectancy of 6 years with proper installation and periodic maintenance

DIMENSIONS



AIR FLOW CHARACTERISTICS

Rated Pressure : 0.15 bar (2.13 psig)



LA-100 & LA-120

LARGE AIR BLOWERS

Ideal for demanding onsite wastewater, aquaculture, and liquid mixing applications, Medco LA-100 and LA-120 are low-noise, energy efficient, powerfully performing aerators.

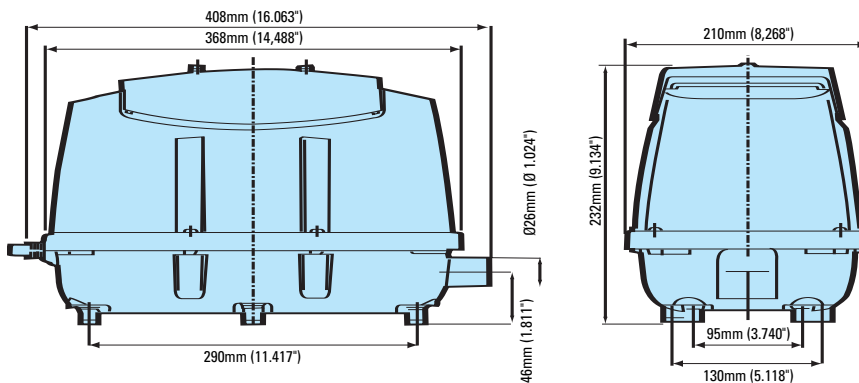
SPECIFICATIONS

Model	LA-100	LA-120
Power Supply	AC 120V, 220V, 230V, 240V	AC 120V, 220V, 230V, 240V
Rated Frequency	60 Hz	60 Hz
Rated Pressure	0.18 kgf/cm ² (2.56 psig)	0.11 kgf/cm ² (2.56 psig)
Rated Airflow	100 LPM (3.53 cfm)	120 LPM (4.24 cfm)
Power Consumption	95 W @ 60 Hz	118 W @ 60 Hz
Running Current	1.7 amps	2.4 amps
Weight	9.4 kg (20.7 lbs)	9.4 kg (20.7 lbs)



- Highly reliable, unique, die cast piston construction
- UL-approved for outdoor use
- Integrated grounded line cord
- Service life expectancy of 6 years with proper installation and periodic maintenance

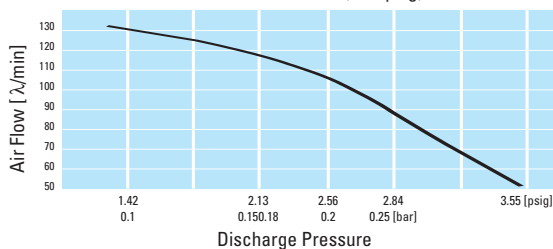
DIMENSIONS



AIR FLOW CHARACTERISTICS

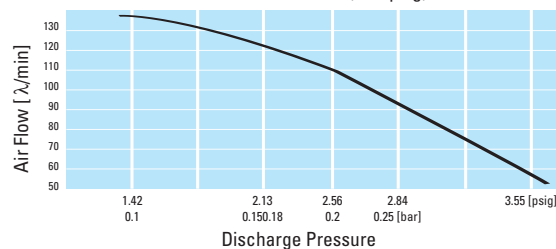
LA-100

Rated Pressure : 0.15 bar (2.13 psig)



LA-120

Rated Pressure : 0.15 bar (2.13 psig)



LA-80B

NEW!

THE LATEST ADVANCE IN BLOWERS FOR ONSITE WASTEWATER AND AQUACULTURE APPLICATIONS

Consider the value of Medo's new LA-80B:blower:

IT RUNS QUIETER, having about as much ambient noise as a light ballast.

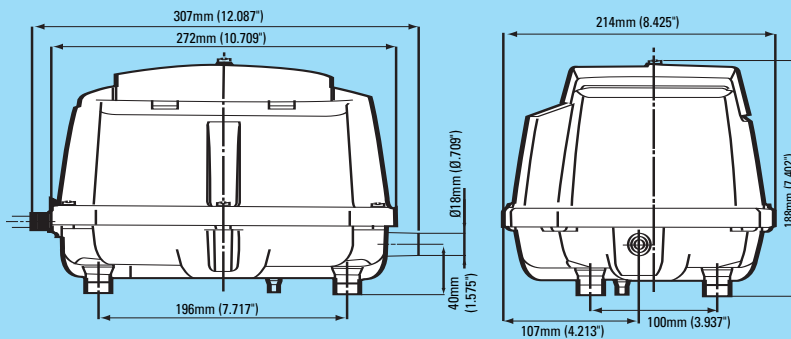
IT CONSUMES LESS ENERGY, having only 50-60% of the line current requirements of diaphragm pumps.

IT LASTS LONGER, especially in hot, humid environments.

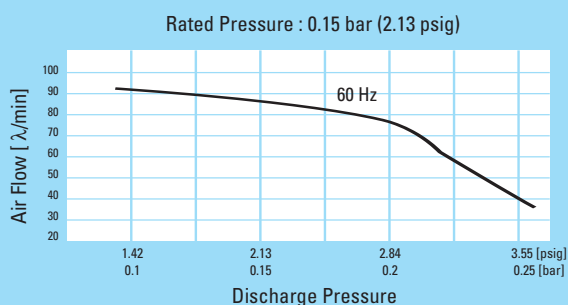
Look closely at the LA-80B and you'll see a sleek, die-cast aluminum housing. Within you'll find a pair of specially treated Teflon® treated pistons with extruded, hardened, and honed cylinders driven by highly efficient coils. The Medo unified, heat sinking aluminum construction enables a greater, quieter operating aerator life, year after year after year.



DIMENSIONS



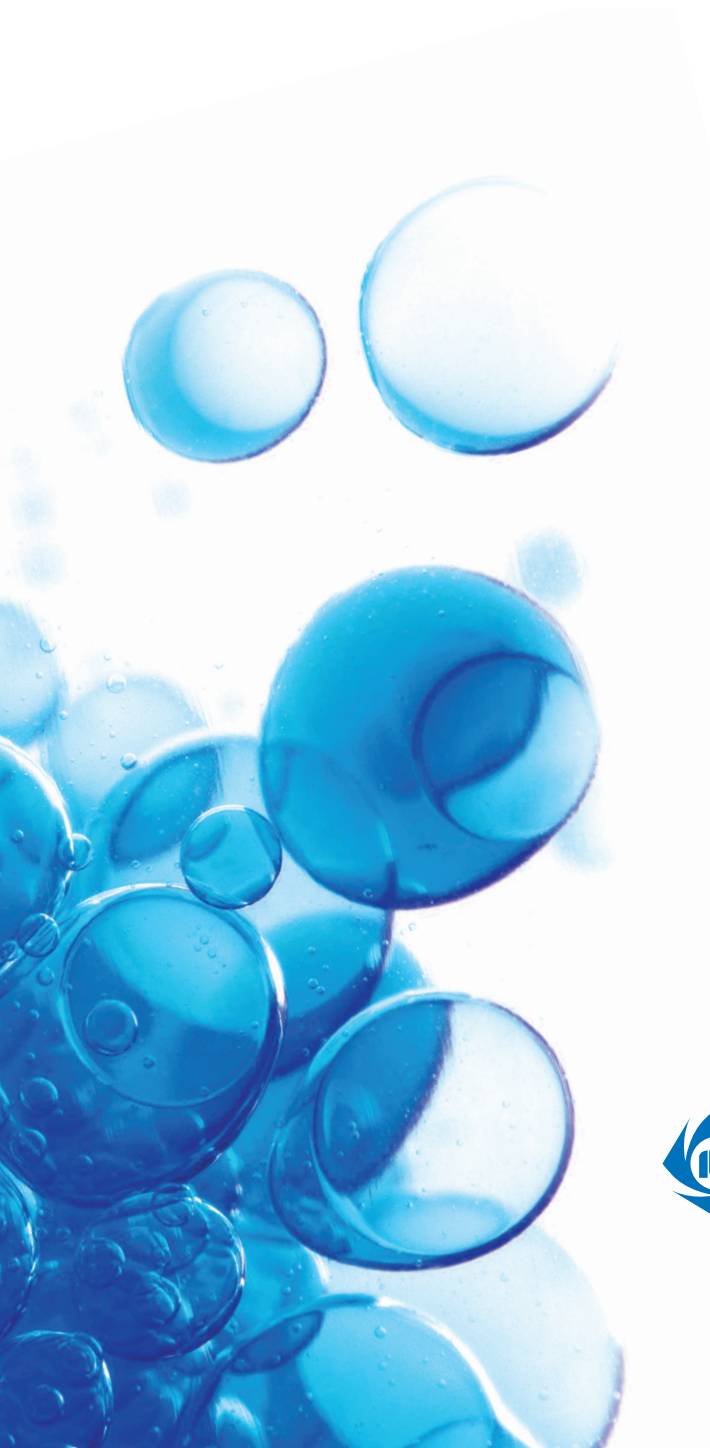
AIR FLOW CHARACTERISTICS



SPECIFICATIONS

Model	LA-80B
Power Supply	AC 120V
Rated Frequency	60 Hz
Rated Pressure	0.15 bar (2.13 psig)
Operating Pressure Range	0.05 ~ 0.2 bar (0.71 ~ 2.84 psig)
Rated Airflow	80 L/min (2.83 cfm)
Power Consumption	86 W/60 Hz
Running Current	1.2 - 1.4 amps
Weight	5.3 kg (11.7 lbs)



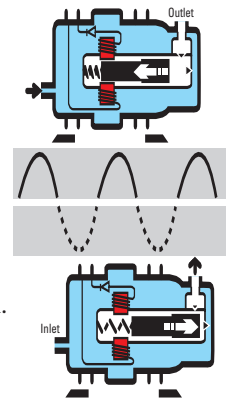


For over three decades, Medo USA has been designing, developing, engineering, and continuously improving high quality air blowers for challenging applications like wastewater and aquaculture systems. The result is an intelligent package that runs quieter, consumes less energy, and lasts longer than comparable blowers for these applications.

Medo's unique linear free piston design has one moving part per cylinder – *one*. This enables Medo blowers to be smaller and lighter than conventional aerators (e.g., diaphragm pumps), allowing designers greater flexibility in system design. The compact integrated design is also self-cooling, free of lubrication, and self-adjusting for pressure spikes – automatically adjusting power consumption and guarding against potential temperature overloads.

THE LINEAR FREE PISTON OPERATING PRINCIPLE

A silicon diode between the coils converts the full-wave input current into half-rectified current. The result is a resonant spring-mass assembly, energized by a pulsating magnetic field.



Contact us today at **800-843-6336** or visit www.medousa.com for more information on how Medo aerators can improve your aquaculture and onsite wastewater systems.



MEDO

Better Design. Better Manufacturing. *Better Value.*

MEDO USA 4525 Turnberry Drive, Hanover Park, IL 60133

Phone: 800-843-6336 Fax: 630-924-0808

© 2005 Medo USA 1005-LA-SERIES