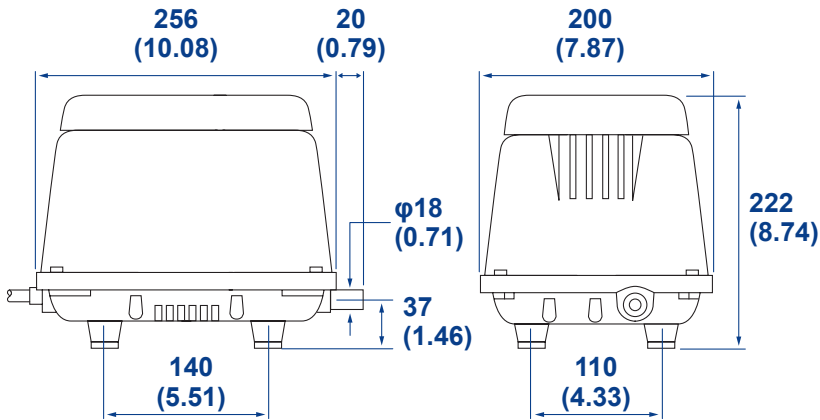


HP-150, 200

PRESSURE TYPE

Dimensions

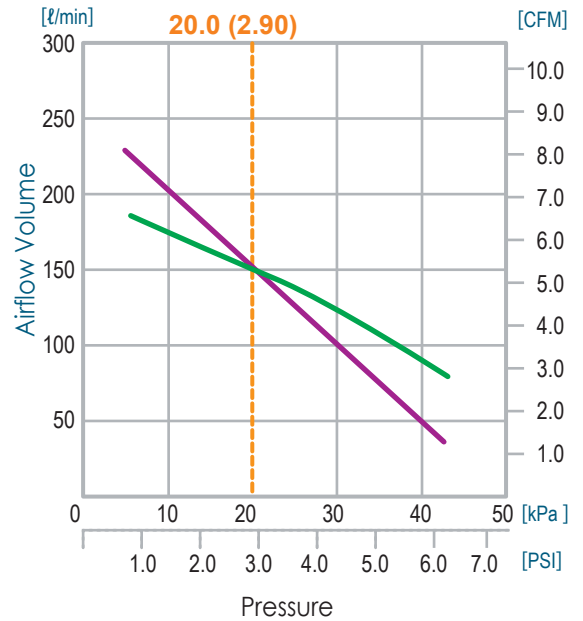
[Unit: mm(inch)]



Performance Curves

--- Rated Loading Pressure [kPa(PSI)]
 — 50Hz — 60Hz

HP-150



Specifications

		HP-150		HP-200	
Rated Voltage	V	AC100 / 110-120 / 220-240			
Power Supply Frequency	Hz	50	60	50	60
Rated Loading Pressure	kPa	20.0			
Airflow Volume	ℓ/min	150		200	
Power Consumption	W	125	155	210	250
Noise Level	dBA	45	47	46	48
Weight	kg	9.0			

HP-200

