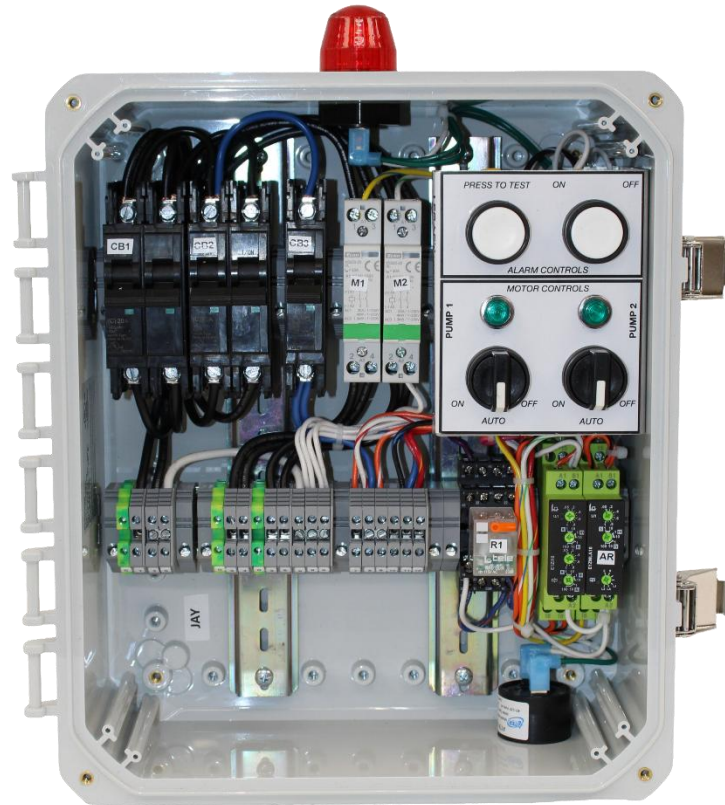


LEGACY CONTROLS™

Dual Voltage Duplex Time Dose Pump Control Panel

Model: LE-6002 / LE-6004 (120/240 VAC)



Product Overview

The LE-6004 is a dual-voltage duplex time-dose pump control panel designed for reliable alternating control of two pumps with precise timed dosing. This panel features automatic pump alternation via the TELE E1ZMLA10 load alternator and an asymmetrical timer (TELE E1ZI10) for time-based dosing operation. It supports standard duplex operation with high-water alarm and dual-pump activation during high-demand conditions. The compact Type 4X enclosure is suitable for both indoor and outdoor installations.

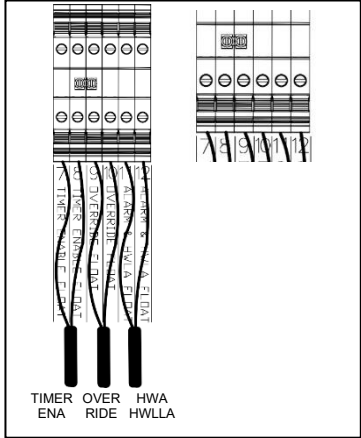
Standard Features

- Dual Voltage operation (120/240 VAC) with quick pin jumper for easy field conversion
- Type 4X polycarbonate enclosure, indoor/outdoor use, quick latch, lockable
- Automatic pump alternation with TELE E1ZMLA10 load alternator
- Asymmetrical timer (TELE E1ZI10) for precise time-dose operation
- Standard 3-float time-dose control (On Float, Override Float, High Water Float)
- High Water float activates alarm + R1 relay for simultaneous lead + lag pump operation
- Independent 3-position pump selectors (AUTO / OFF / ON) for each pump
- High water alarm with red beacon and audible buzzer (85–95 dB)
- Pump run indicators and alarm test push button
- Simple, reliable relay logic design with continuous monitoring

Float Configuration & Application

This duplex time-dose panel uses a 3-float system for reliable lead/lag operation and high-demand protection:

Float	Function	Application / Effect
On Float (Timer Enable)	Activates asymmetrical timer	Lowest – Starts timed dosing cycle for lead pump
Override Float	Bypasses timer for immediate run	Middle – Forces continuous pumping of lead pump
High Water Float	Alarm activation + dual-pump run	Highest – Activates red beacon, buzzer, and R1 relay so both pumps run simultaneously



In normal operation, the On Float enables the asymmetrical timer which runs the lead pump for the set duration. The Override Float provides extra capacity during high inflow by bypassing the timer. When the High-Water Float activates, the R1 relay engages the lag pump so both pumps operate simultaneously while the alarm sounds. Automatic alternation is handled by the TELE E1ZMLA10 relay after each cycle.

Technical Specifications

Parameter	Specification
Model	LE-6004
Voltage	120/240 VAC, Single Phase (field selectable via quick pin jumper)
Total FLA	40 A total
Pump Capacity	Up to 2.5 HP per pump (16 FLA each)
Enclosure Rating	Type 4X Polycarbonate (Indoor/Outdoor)
Control Type	Duplex Alternating with Time-Dose (Cyclic Timing)
Timer	TELE E1Z110 Asymmetrical Timer
Alternator	TELE E1ZMLA10 Load Alternator
Certifications	UL Listed (NITW/NITW7.E547664)

Product Dimensions

Overall Width (W)	Overall Height (H)	Overall Depth (D)	Mounting Height
10.3"	13.28"	5.8"	11.32"

Ordering Information

For current pricing and a customized quote, please request details from your local authorized sales and service provider.

Compliance & Notes

- Type 4X enclosure suitable for indoor and outdoor installations
- Designed for duplex alternating time-dose pump control applications
- Quick Change Grouping Pins allow field selectable voltage (120/240 VAC)
- All installations must comply with applicable local, state, and national electrical codes (NEC)
- UL 508A listed industrial control panel