

# Liberty Pumps®

## LSG200-Series



U.S. Patent # 7,159,806

**Omnivore®**  
Grinders

**2 hp**  
**1-1/4" Discharge**

**Features:**

- New Patented V-Slice® cutter technology
- One-piece uni-body casting
  - Stainless steel impeller
- Quick-disconnect power cord
- Internal or external capacitor models available
- 300 Series SS Rotor Shaft

innovate. evolve.





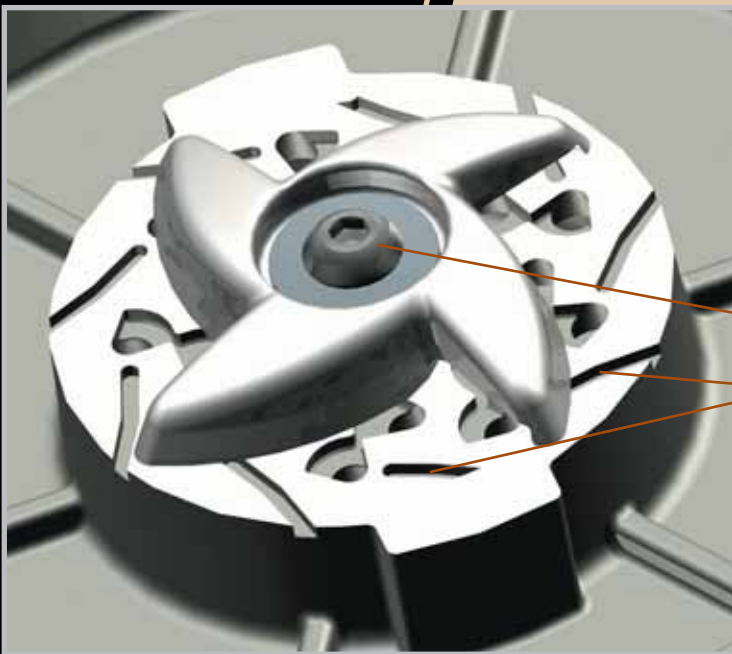
Liberty's LSG200-Series Grinder Pumps meet the demanding needs of commercial and residential sewage applications where difficult solids-handling ability is crucial. The LSG200-Series features a superior cutting system made of hardened 440 stainless steel – Rockwell C 58, for shearing solids into small particles prior to being passed to the discharge by the impeller under high pressure. Applications include individual or groups of homes, motels, schools, shopping centers, lakefront developments and systems requiring high pressure sewage pumping.

## LSG200-Series Grinder Pumps

### Features:

- 2 hp, heavy-duty motor – oil filled, thermally protected
- Upper and lower ball bearings
- One-piece uni-body cast iron housing
- 300 Series SS Rotor Shaft
- 316 Stainless steel impeller
- Dual seals – Upper seal is unitized durable silicon carbide. Lower seal is Viton® double-lip. (Lower seal ensures that all debris is kept away from main seal)
- Motor windings insulated to Class B (130°C)
- Advanced V-Slice® cutting system made of hardened 440 stainless steel – Rockwell C 58
- Horizontal 1-1/4" FNPT Discharge
- Back vanes on impeller and spiraled bottom plate for superior solids clearing
- All stainless steel fasteners
- Clog-free volute design
- Designed for maximum heat dissipation and cool motor operating temperatures
- Solid state starting circuit - no mechanical relay coil
- 25' power cord with Quick-Disconnect
- Piggy back plug with wide angle float (on automatic model) eliminates need for expensive panel

Viton® is a registered trademark of DuPont Dow Elastomers LLC.



### V-Slice® Technology

Superior cutting system provides improved shredding performance over radial cutters. V-pattern provides up to 108 alternated cuts per revolution. Entire cutting system made of 440 stainless steel hardened to 58Rc.

**Recessed cutter bolt eliminates wadding**

**Exclusion cleanout slots and back relief clears debris from under cutter**

U.S. Patent # 7,159,806

inno

Stainless steel clasp for lift-out chain

Large stainless steel handle with rubber grip

Quick-disconnect power cord

Dependable solid state starting circuit

Internal start/run capacitors on single phase models. "C" models have external caps and require a control panel

Thermal overload (single phase only)

2 hp motor

Unique one-piece unibody casting

Wide angle float with piggy-back plug

316 SS impeller

Silicon carbide upper seal

300 Series SS Rotor Shaft

440 SS cutter plate spiraled for solids clearing

Viton® double-lip lower seal

Robust motor plate

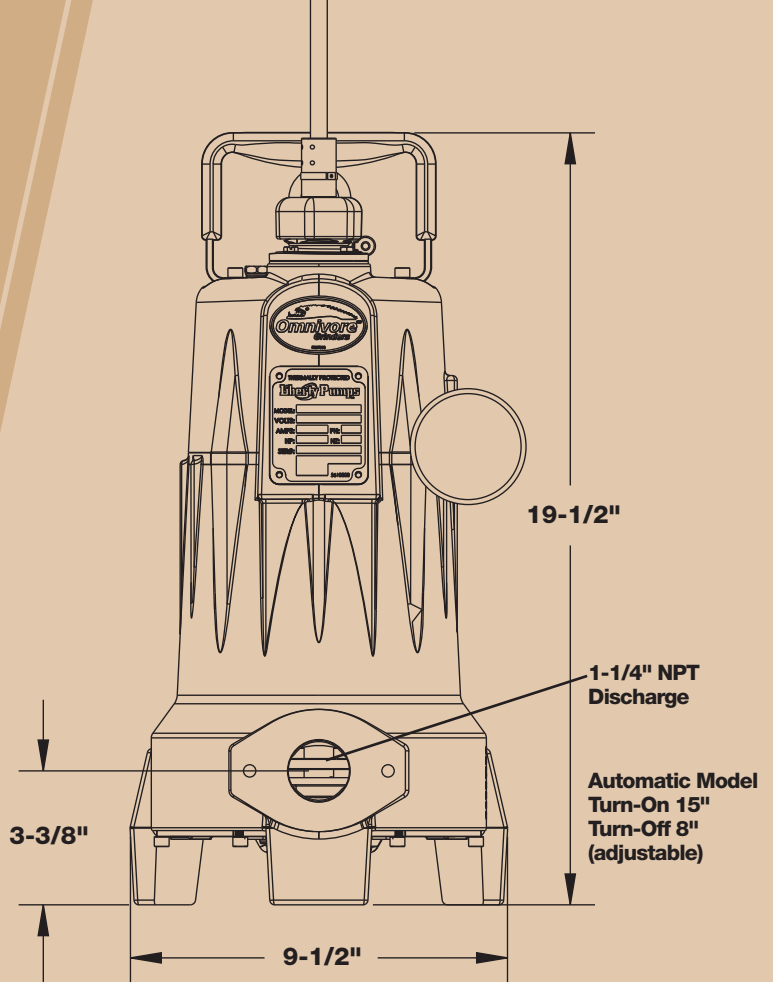
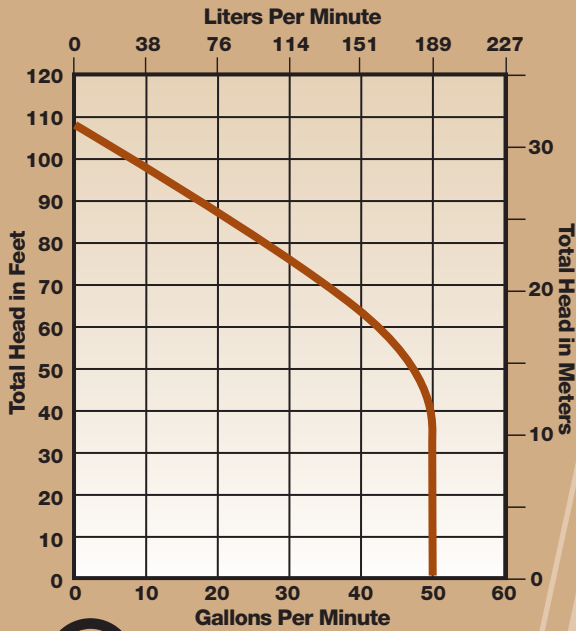
1-1/4" NPT Discharge

440 SS rotary cutter hardened to 58Rc

Improved clog-free volute design

vate. evolve.

# LSG200-Series Specifications



Model	HP	Volts	Phase	HZ	Amps	Locked Rotor Amps	Speed (RPM)	Discharge	Switch	Weight
LSG202A	2	208-230	1	60	15	53	3450	1-1/4"	Yes	86
LSG202M	2	208-230	1	60	15	53	3450	1-1/4"	No	84
LSG202M-C	2	208-230	1	60	15	53	3450	1-1/4"	No	84
LSG203M	2	208/230	3	60	10.6	62	3450	1-1/4"	No	84
LSG204M	2	440-480	3	60	5.3	31	3450	1-1/4"	No	84
LSG205M	2	575	3	60	4.9	31	3450	1-1/4"	No	84

Single phase models are thermally protected. 3-phase models require a properly sized control panel. Maximum fluid temperature 140° F

LSG202M and LSG202A feature internal capacitors and do not require a separate control panel for operation. LSG202M-C features external capacitors, requiring a panel with appropriately sized start and run capacitors.

## Options for LSG202M-C: External Cap Grinder

Model	Description
K001316	Start/Run Capacitor Kit (for retrofit in existing panels)
SXHC24=3	Simplex NEMA 4X Panel with start/run capacitors
AE24HC=3	Duplex NEMA 4X Panel with start/run capacitors

For complete panel specifications, see SX or AE-series literature.  
25' cord standard on all models. LSG202M-C features 35' cord standard.

## GR20 Guide Rail Base



- Cast Iron construction
- Single 1-1/4" guide rail pipe design
- Auto alignment feature (GR20 works only with LSG-Series pumps)
- Upper rail support bracket (GR20 option sold separately)

www.libertypumps.com



Liberty Pumps • 7000 Apple Tree Avenue • Bergen, New York 14416  
Phone 800-543-2550 Fax (585) 494-1839

Specifications are subject to change without notice. Copyright © Liberty Pumps, Inc. 2011 All rights reserved. LLIT3200 R05/12