

# LEGACY<sup>™</sup> CONTROLS

## Simplex Control Panel – Single Phase, Cyclic Timing, Type 4X

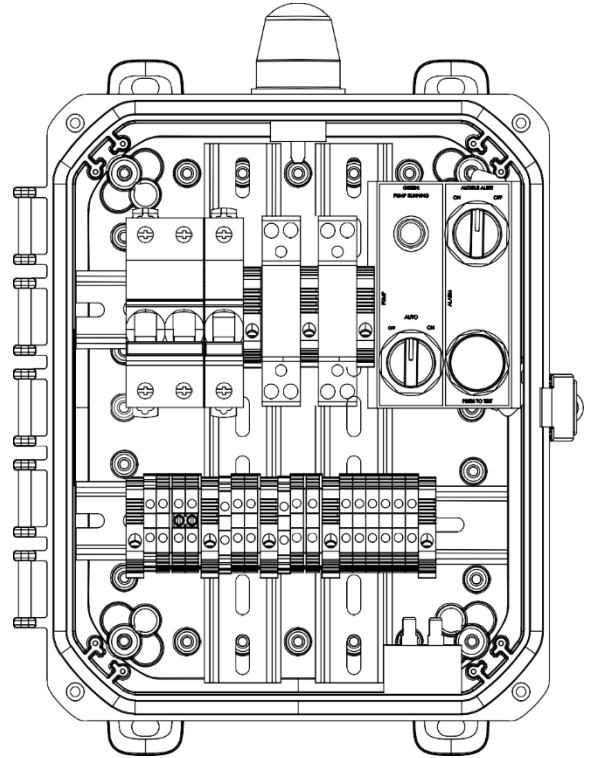
Model: LE-4002 / LE-4004 (120/240 VAC)

### Product Overview

The LE-4002 and LE-4004 are single-phase simplex control panels with cyclic timing (time-dose) functionality. Designed for Type 4X indoor/outdoor use, these panels provide reliable pump control using an asymmetrical timer for time-dose operation. They include 3-float level control, HOA functionality, and robust alarm monitoring in a compact, lockable enclosure.

### Standard Features

- Type 4X Enclosure, Indoor or Outdoor Use, Quick Latch, Lockable
- Standard Enclosure Size: 10" x 8.4" x 5.2" (inches)
- Alarm Buzzer and Red Alarm Beacon (visual, 85–95 dB audible)
- MCB Protection for Pump + IEC Installation Contactor
- MCB Protection for Alarm and Control Circuits
- HOA Switch + Pump Run Indicator
- On/Off Logic Relay
- 3-Float Level Control (On, Override, High Water)
- Asymmetrical Timer for Time-Dose Operation
- 3-Position Pump Selector (AUTO / OFF / ON)
- Alarm Test Push Button + Alarm Buzzer ON/OFF Switch
- Quick Change Grouping Pins for field selectable voltage

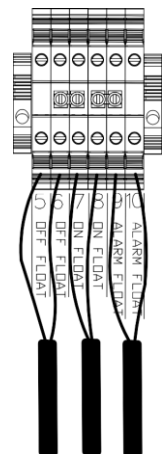


### Float Configuration & Application

This panel uses a 3-float time-dose control system designed for reliable dosing and high-inflow protection:

Float	Function	Position / Effect
On Float (Timer Enable)	Activates asymmetrical timer	Lowest – Starts timed dosing cycle
Override Float	Bypasses timer for immediate run	Middle – Forces continuous pumping
High Water Float	Alarm activation only	Highest – Alarm only (no pump control)

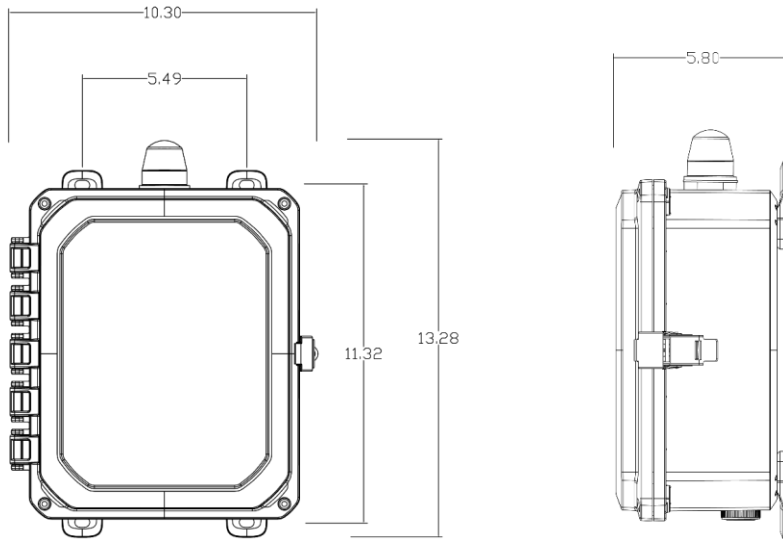
In AUTO mode, the On Float enables timed dosing. The Override Float provides extra capacity during high inflow by bypassing the timer. The High Water Float is for alarm notification only. This configuration is ideal for time-dosing applications and systems with variable inflow.



## Technical Specifications

Parameter	Specification
Model	LE-4002 / LE-4004
Voltage	120/240 VAC, Single Phase (field selectable)
Pump FLA	16 Amps Pump / FLA 20 Amps
Enclosure Rating	Type 4X (Indoor/Outdoor)
Control Type	Time-Dose (Cyclic Timing) with 3-Float Control
Timer	Asymmetrical Timer (ELKO CRM-2H_UNI)
Certifications	UL Listed (where applicable)

## Product Dimensions



Panel Model	Overall Width (W)	Overall Height (H)	Overall Depth (D)	Mounting Width	Mounting Height
LE-4002	10.3"	13.28"	5.8"	5.49"	11.32"
LE-4004	10.3"	13.28"	5.8"	5.49"	11.32"

## Ordering Information

For current pricing and a customized quote, please request details from your local authorized sales and service provider.

## Compliance & Notes

- Type 4X enclosure suitable for indoor and outdoor installations
- Designed for time-dose (cyclic timing) simplex pump control applications
- Quick Change Grouping Pins allow field selectable voltage
- All installations must comply with applicable local, state, and national electrical codes