



## AGP200 GRINDER PUMP

### FEATURES

- Heavy duty grinder family
- Dual seals
- Brass, 10 vane open impeller

*Honest  
Professional  
Dependable*

1899 Cottage Street, Ashland, Ohio 44805

Telephone: 855 281-6830 · Fax: 877 326-1994

[ashlandpump.com](http://ashlandpump.com)



# AGP200 - 2 HP Grinder Pump

## TECHNICAL DATA

### Physical Data:

DISCHARGE SIZE **1-1/4" NPT**  
 IMPELLER TYPE **10-Vane, Open - Brass**  
 CABLE LENGTH **20'**

### Liquid Handling:

SOLIDS SIZE **1/2"**  
 MAXIMUM LIQUID TEMP. **140°F - Intermittent**  
**104°F - Continuous**  
 ACCEPTABLE PH RANGE **6-8**

### Temperature:

MAXIMUM STATOR **145°C**  
 OIL FLASH POINT **145°C**

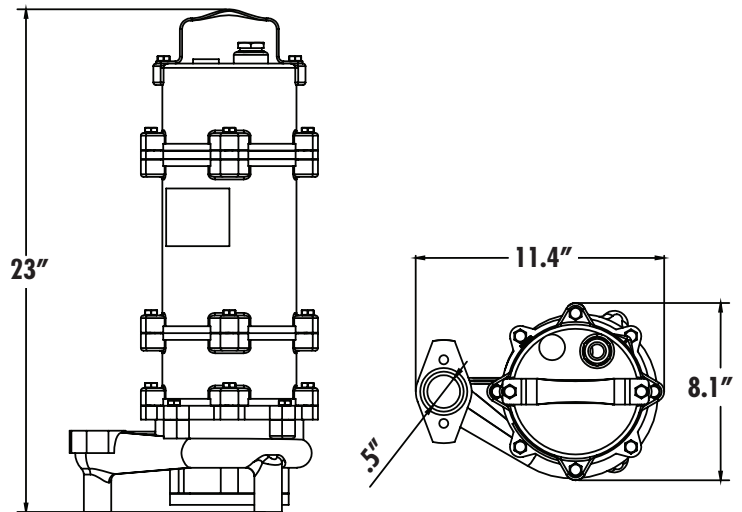
### Technical Data:

POWER CORD TYPE **12AWG**  
 SENSOR CORD **18AWG**  
 MOTOR HOUSING **Cast Iron**  
 CASING **N/A**  
 IMPELLER **Brass**  
 MOTOR SHAFT **SS4304**  
 HARDWARE **SS**  
 "O" RINGS **NBR**  
 MECHANICAL SEALS **Standard**  
 UPPER BEARING **6203**  
 LOWER BEARING **6208**

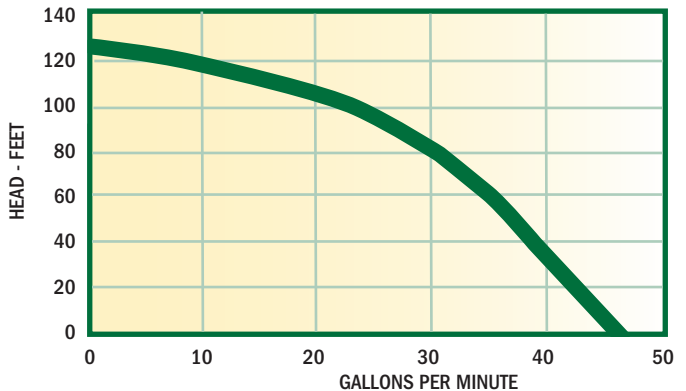
## ELECTRICAL DATA

R.P.M. **3450**  
 MOTOR TYPE **PSC**  
 GENERAL INSULATION CLASS **H**  
 STATOR WINDING CLASS **H**  
 MAXIMUM STATOR TEMPERATURE **145°C**  
 VOLTAGE TOLERANCE **±10%**  
 MOTOR PROTECTION **Thermally Protected**  
 HP **2**  
 VOLTAGE **230**  
 PHASE **1**  
 SERVICE FACTOR **N/A**  
 FULL LOAD AMPS **17.0**

## DIMENSIONAL DATA



## PERFORMANCE CURVE



## PERFORMANCE CHART

Total Lift(feet)	0	20	40	60	80	100	120	125
GPM	45	42	39	35	31	24	8	0



P U M P

**Honest, Professional, Dependable**

1899 Cottage Street, Ashland, Ohio 44805  
 Telephone: 855 281-6830 · Fax: 877 326-1994 · ashlandpump.com