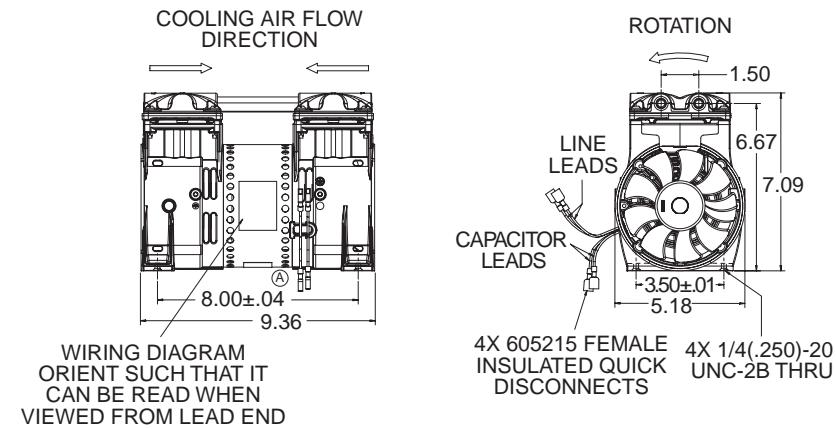
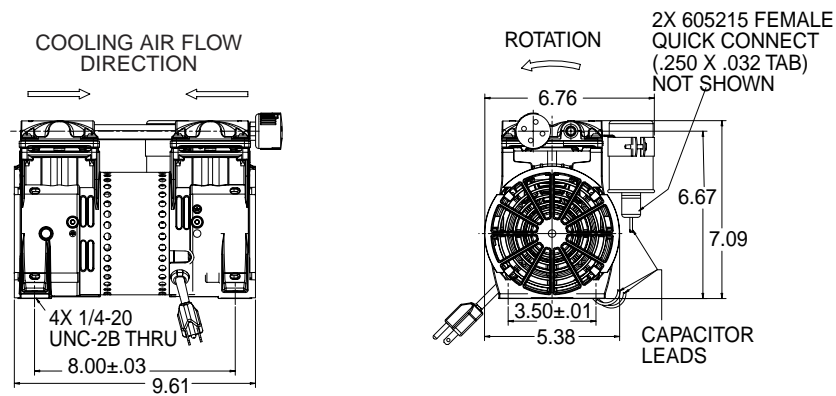


# Dimensions

## 2660



## 2680



MODEL	A
2668	#8-32 UNC-2B
2688	THREAD THRU
2660/2669	1/4-20 UNC-2B
2680/2689	THREAD THRU

Patent No. 6056521

**THOMAS**  
A Gardner Denver Product

Distributed by:  
**CFP**  
COMBINED FLUID PRODUCTS CO.  
805 OAKWOOD RD.  
LAKE ZURICH, IL 60047  
800-521-2083  
www.combinedfluidproducts.com

Printed in U.S.A. Form No. 850-3178 7/06  
©2006 Gardner Denver Thomas, Inc. All rights reserved.

WOB-L™



# 2660/2680 SERIES

## MODELS

Standard models  
2660CE44  
2660CGHI42  
2680CE44  
2680CGHI42

Other models based on availability and minimum purchase.

2660CE37  
2660CE39  
2660CGHI37  
2660CGHI39  
2680CE37  
2680CE39  
2680CGHI37  
2680CGHI39



## FEATURES

- Head design allows easily replaced piston seal
- Oil-less, non-lube piston and cylinder
- Permanently lubricated bearings
- Stainless steel valves
- Lightweight die cast aluminum components
- Long-life, high performance piston seal
- Thin wall, hard-coated aluminum cylinder for maximum heat transfer
- Twin fans provide cooling air through and around motor and cylinders
- Dual intake/exhaust manifold system for easy piping
- Balanced for smooth, low vibration operation
- Field service capability
- Inlet filter
- Capacitor
- All wetted aluminum parts treated for corrosion protection from moisture
- Patented one piece head for fewer parts and reduced leak paths
- UL Recognized motor and thermal protector, 115v/60Hz models
- CE/TUV approved, 220-240/50Hz models (Consult factory for non-standard models)
- Kit options: Guards/Capacitor cover/Cords

Consult factory for custom applications

ISO 9001  
CERTIFIED

**THOMAS**  
A Gardner Denver Product

# 2660 & 2680 Series Performance Data

MODEL NUMBERS		2660CE37 2680CE37		2660CE39 2680CE39		Standard 2660CE44 2680CE44	
HEAD CONFIGURATION		Pressure/Vacuum		Pressure/Vacuum		Pressure/Vacuum	
STROKE		.370 Inches		.390 Inches		.440 Inches	
PRESSURE		Flow @ 115v		Flow @ 115v		Flow @ 115v	
CFM @ PSI	LPM @ bar						
PSI	bar	CFM	LPM	CFM	LPM	CFM	LPM
0	0	3.73	105.6	3.92	110.9	4.40	124.5
5	.5	3.65	101.8	3.82	105.9	4.34	121.4
10	1.0	3.53	95.6	3.65	98.5	4.23	114.6
15	1.5	3.36	88.9	3.46	92.1	4.03	107.0
20	2.0	3.20	81.9	3.31	85.7	3.84	100.0
25	3.0	3.03	70.4	3.15	70.4	3.67	100.0
30		2.86		3.00		3.50	
35		2.71		2.90			
40		2.58					
<b>MAX. CONTINUOUS PRESSURE</b>		40 PSI	2.8 bar	35 PSI	2.4 bar	30 PSI	2.1 bar
<b>MAX. INTERMITTENT PRESSURE</b>		40 PSI	2.8 bar	35 PSI	2.4 bar	30 PSI	2.1 bar
VACUUM		Flow @ 115v		Flow @ 220v/230v		Flow @ 115v	
CFM @ IN. hg	LPM @ mbar (gauge)						
IN. hg	mbar (gauge)	CFM	LPM	CFM	LPM	CFM	LPM
0	0	3.73	105.6	3.92	110.9	4.40	124.5
5	-100	2.47	84.5	2.62	89.2	2.96	100.5
10	-200	1.86	66.8	1.98	70.9	2.22	80.0
15	-400	1.27	46.6	1.36	49.7	1.52	55.6
20	-600	0.68	26.8	0.72	28.6	0.83	32.4
25	-800	0.11	7.5	0.12	8.0	0.16	9.7
<b>MAX. VACUUM</b>		27.0" hg	-914 mbar	27.0" hg	-914 mbar	27.0" hg	-914 mbar
<b>MAX. AMBIENT AIR TEMP.</b>		104° F	40°C	104° F	40°C	104° F	40°C
<b>MIN. AMBIENT START TEMP.</b>		50° F	10°C	50° F	10°C	50° F	10°C
<b>MAX. RESTART PRESSURE</b>		0 PSI	0 bar	0 PSI	0 bar	0 PSI	0 bar
<b>MAX. RESTART VACUUM</b>		0"hg	0 mbar	0"hg	0 mbar	0"hg	0 mbar
<b>MOTOR VOLTAGE/FREQUENCY</b>		115/60/1		115/60/1		115/60/1	
<b>MOTOR TYPE</b>		Permanent Split Cap.		Permanent Split Cap.		Permanent Split Cap.	
<b>CURRENT AT RATED LOAD (AMPS)</b>		4.5		4.7		5.0	
<b>POWER AT RATED LOAD (WATTS)</b>		480		490		530	
<b>STARTING CURRENT (LOCKED ROTOR, AMPS)</b>		14.6		14.6		14.6	
<b>CAPACITOR VALUE</b>		15 mfd		15 mfd		15 mfd	
<b>MIN. FULL LOAD SPEED (RPM)</b>		1680		1690		1670	
<b>THERMAL PROTECTOR</b>		Yes		Yes		Yes	
<b>NET WEIGHT</b>		14.8 lbs.	6.7 kg	14.8 lbs.	6.7 kg	14.8 lbs.	6.7 kg

The information presented in this material is based on technical data and test results of nominal units. It is believed to be accurate and reliable and is offered as an aid to help in the selection of Thomas products. It is the responsibility of the user to determine the suitability of the product for his intended use and the user assumes all risk and liability whatsoever in connection therewith. Thomas Industries does not warrant, guarantee or assume any obligation or liability in connection with this information.

**NOTE:** Models pictured are representative of the series and do not represent a specific model number. Consult factory for detailed physical description.

**NOTE:** 2660 models do not have fan guard or cord standard, these are options. 2680 models include fan guard and cord standard.

# 2660 & 2680 Series Performance Data

MODEL NUMBERS		2660CGHI37 2680CGHI37		2660CGHI39 2680CGHI39		Standard 2660CGHI42 2680CGHI42	
HEAD CONFIGURATION		Pressure/Vacuum		Pressure/Vacuum		Pressure/Vacuum	
STROKE		.370 Inches		.390 Inches		.420 Inches	
PRESSURE		Flow @ 220v/230v/60Hz		Flow @ 220v/230v		Flow @ 220v/230v	
CFM @ PSI	LPM @ bar						
PSI	bar	CFM	LPM	CFM	LPM	CFM	LPM
0	0	3.12 / 3.74	88.3 / 105.9	3.38 / 4.01	95.7 / 113.5	3.59 / 4.30	101.6 / 121.7
5	.5	3.05 / 3.65	85.2 / 102.0	3.30 / 3.92	91.7 / 109.0	3.50 / 4.08	97.5 / 114.5
10	1.0	2.96 / 3.55	80.4 / 96.1	3.17 / 3.77	86.1 / 101.3	3.38 / 4.00	91.8 / 108.4
15	1.5	2.83 / 3.38	75.5 / 90.2	3.03 / 3.56	80.8 / 94.0	3.23 / 3.81	85.7 / 100.2
20	2.0	2.71 / 3.24	70.8 / 84.5	2.90 / 3.38	75.9 / 87.2	3.08 / 3.60	80.0 / 93.4
25	3.0	2.59 / 3.09	60.1 / 71.6	2.77 / 3.21	66.8 / 74.3	2.93 / 3.43	80.0 / 93.4
30		2.48 / 2.96		2.66 / 3.05		2.80 / 3.27	
35		2.33 / 2.77		2.53 / 2.88			
40		2.21 / 2.63		2.43 / 2.73			
<b>MAX. CONTINUOUS PRESSURE</b>		40 PSI	2.8 bar	40 PSI	2.8 bar	30 PSI	2.1 bar
<b>MAX. INTERMITTENT PRESSURE</b>		40 PSI	2.8 bar	40 PSI	2.8 bar	30 PSI	2.1 bar
VACUUM		Flow @ 220v/230v/60Hz		Flow @ 220v/230v		Flow @ 220v/230v	
CFM @ IN. hg	LPM @ mbar (gauge)						
IN. hg	mbar (gauge)	CFM	LPM	CFM	LPM	CFM	LPM
0	0	3.12 / 3.74	88.3 / 105.9	3.38 / 4.01	95.7 / 113.5	3.59 / 4.30	101.6 / 121.7
5	-100	2.17 / 2.54	72.4 / 85.8	2.30 / 2.70	77.6 / 91.6	2.44 / 2.84	81.3 / 94.7
10	-200	1.65 / 1.89	58.7 / 68.5	1.76 / 2.02	62.3 / 72.9	1.83 / 2.13	65.9 / 76.7
15	-400	1.12 / 1.30	41.2 / 47.4	1.20 / 1.39	44.0 / 50.7	1.26 / 1.47	45.9 / 53.5
20	-600	0.61 / 0.69	23.8 / 27.4	0.66 / .75	25.6 / 29.5	0.65 / .81	26.2 / 31.4
25	-800	0.10 / 0.11	6.8 / 7.6	0.11 / .12	7.4 / 8.3	0.11 / .15	7.3 / 9.3
<b>MAX. VACUUM</b>		27.0" hg	-914 mbar	27.0" hg	-914 mbar	27.0" hg	-914 mbar
<b>MAX. AMBIENT AIR TEMP.</b>		104° F	40°C	104° F	40°C	104° F	40°C
<b>MIN. AMBIENT START TEMP.</b>		50° F	10°C	50° F	10°C	50° F	10°C
<b>MAX. RESTART PRESSURE</b>		0 PSI	0 bar	0 PSI	0 bar	0 PSI	0 bar
<b>MAX. RESTART VACUUM</b>		0"hg	0 mbar	0"hg	0 mbar	0"hg	0 mbar
<b>MOTOR VOLTAGE/FREQUENCY</b>		220-240/50/1 - 230/60/1		220-240/50/1 - 230/60/1		220-240/50/1 - 230/60/1	
<b>MOTOR TYPE</b>		Permanent Split Cap.		Permanent Split Cap.		Permanent Split Cap.	
<b>CURRENT AT RATED LOAD (AMPS)</b>		1.9 / 9.2		2.0 / 2.2		1.9 / 2.2	
<b>POWER AT RATED LOAD (WATTS)</b>		425 / 480		435 / 485		405 / 475	
<b>STARTING CURRENT (LOCKED ROTOR, AMPS)</b>		5.8 / 5.6		5.8 / 5.6		5.8 / 5.6	
<b>CAPACITOR VALUE</b>		15 mfd		15 mfd		15 mfd	
<b>MIN. FULL LOAD SPEED (RPM)</b>		1360 / 1640		1360 / 1640		1400 / 1680	
<b>THERMAL PROTECTOR</b>		Yes		Yes		Yes	
<b>NET WEIGHT</b>		15 lbs.	6.8 kg	15 lbs.	6.8 kg	15 lbs.	6.8 kg