

SEWAGE PUMPS

Model: SWH100



Features

- Heavy duty cast iron construction
- Oil-filled continuous duty PSC motor (1Ph) and Induction motor (3Ph)
- Semi-open cast iron impeller
- 2" solids handling

Specifications

Physical Data:

DISCHARGE SIZE	2" NPT Flanged discharge , 3" NPT optional
IMPELLER TYPE	9 Vane Vortex - Cast Iron
CABLE LENGTH	20'

Liquid Handling:

SOLIDS SIZE	2"
MAXIMUM LIQUID TEMP.	104°F – Intermittent
ACCEPTABLE PH RANGE	6-8

Technical Data:

MOTOR HOUSING	Cast Iron
CASING	Cast Iron
IMPELLER	Cast Iron
MOTOR SHAFT	SS416
HARDWARE	SST
"O" RINGS	NBR
SEALS	Mechanical, Carbon Ceramic
UPPER BEARING	6203
LOWER BEARING	6203

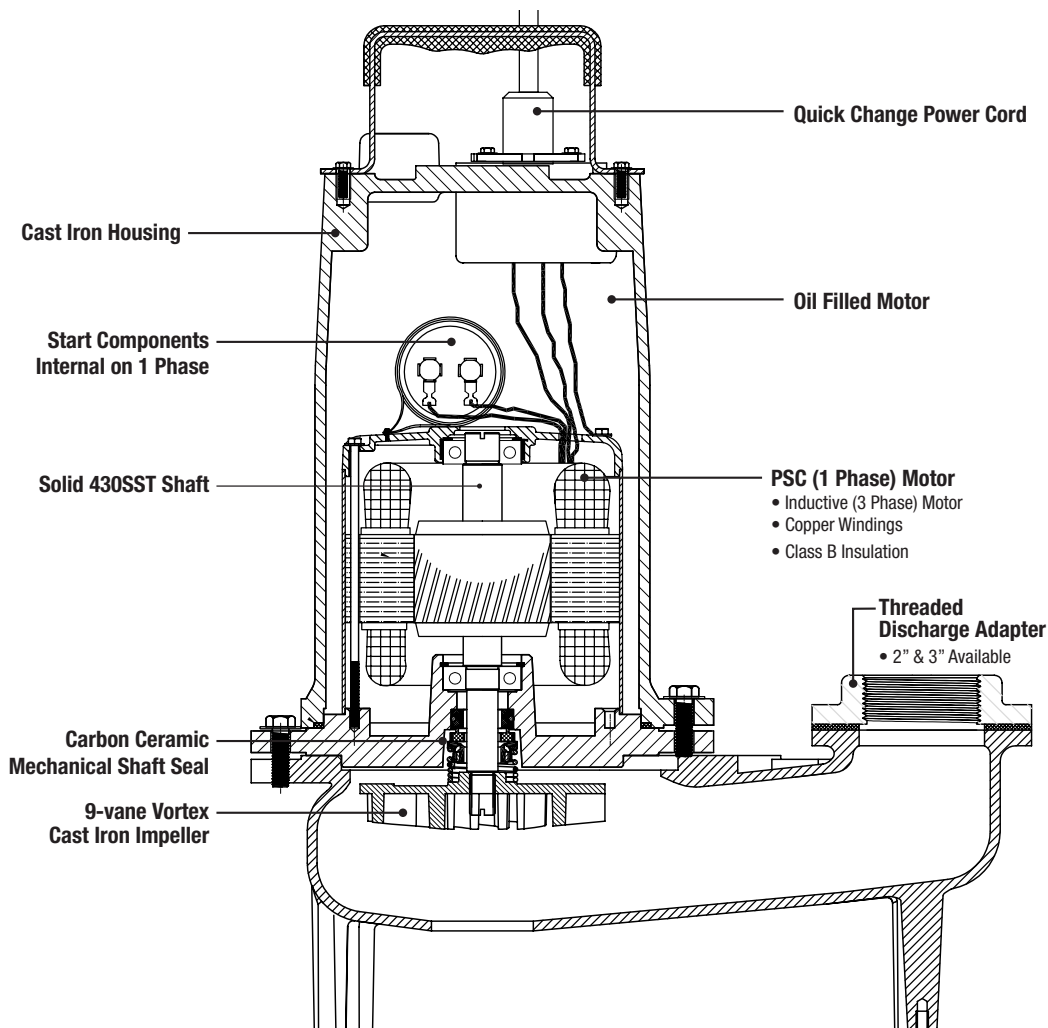
Electrical Data:

R.P.M.	3450
MOTOR TYPE	PSC/Induction
GEN INSULATION CLASS	B
STATOR WINDING CLASS	B
MAXIMUM STATOR TEMP	130°C
VOLTAGE TOLERANCE	±10%
MOTOR PROTECTION	Thermally Protected
HP	1
VOLTAGE	208/230/460
PHASE	1/3
SERVICE FACTOR	1

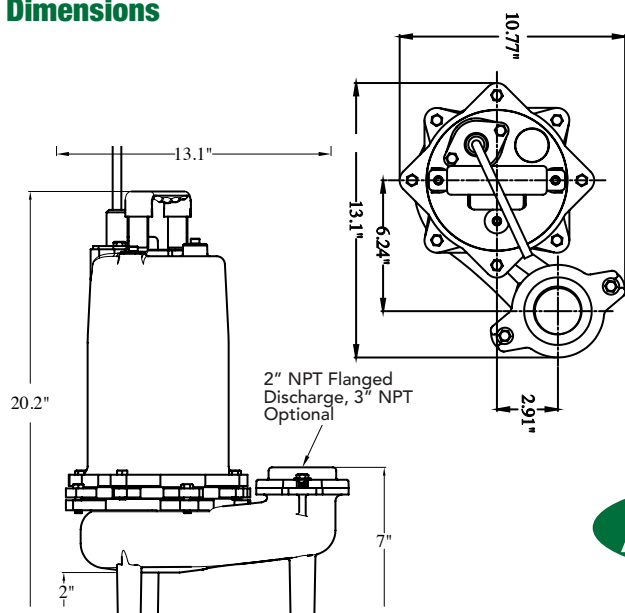
Specifications

Model	HP	Hz	Volts/Ph	RPM	Full Load Amps	Nema Start Code	Cord Type	Cord Power Size	Cord O.D.
SWH100M2-20	1	60	230/1	3450	11.0	P	SOW	16AWG/3C	.43
SWH100M3-20	1	60	230/3	3450	6.6	P	SOW	16AWG/4C	.46
SWH100M4-20	1	60	460/3	3450	3.3	P	SOW	16AWG/4C	.46
SWH100M5-20	1	60	208/1	3450	12.0	P	SOW	16AWG/4C	.43
SWH100M6-20	1	60	208/3	3450	6.8	P	SOW	16AWG/4C	.46

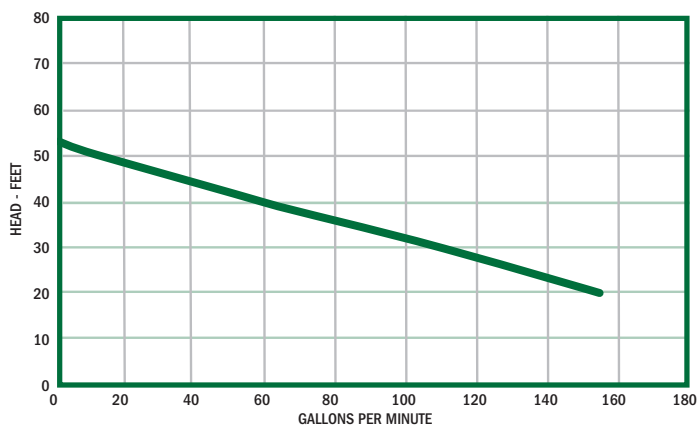
Features



Dimensions



Performance Curve



P U M P

Honest, Professional, Dependable

1899 Cottage Street, Ashland, Ohio 44805

Telephone: 855 281-6830 • Fax: 877 326-1994 • ashlandpump.com