

Observer 500 Indoor/Outdoor Alarm

⚠ WARNING	ELECTRICAL SHOCK HAZARD Disconnect power before installing or servicing this product. A qualified service person must install and service this product according to applicable electrical and plumbing codes.	⚠ WARNING	EXPLOSION OR FIRE HAZARD Do not use this product with flammable liquids. Do not install in hazardous locations as defined by National Electrical Code, ANSI/NFPA 70.
------------------	---	------------------	--

1. Observe National Electric Code, ANSI/NFPA 70, when installing this unit to prevent moisture buildup. SPI is not responsible for damage or injury resulting from improper installation procedure.
2. Turn off power.
3. Open the enclosure lid. Loosen the 4 screws.
4. Mount the alarm using the mounting feet at the top and bottom.
5. String the alarm float cord through the cord grip at the bottom of the enclosure
6. Strip the alarm float switch as recommended in figure 1.
7. Attach the float leads to the terminal block at position 1 and 2. **CAUTION:** The float switch on this alarm is part of a 115 VAC circuit.
8. Close the enclosure lid and screw it tight.
9. Tighten the alarm float cord grip and check that the power cord grip is tight as well.
10. Plug in the alarm power cord. **NOTE:** SPI recommends using an outlet that is on a separate circuit from the pump power supply. This way, a fault in the pump circuit does not affect power to the alarm circuit.
11. Turn on power and test the alarm. Upon tilting the float switch up, the buzzer and alarm light should switch on. If it does not, push the toggle switch into “test”. If the alarm is still not functioning, contact your sales representative.

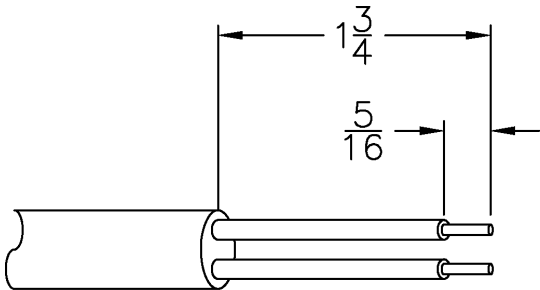


Figure 1: Recommended strip lengths

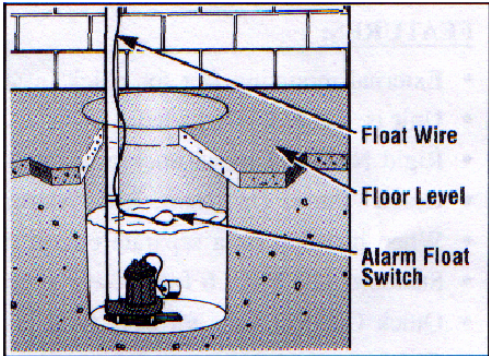


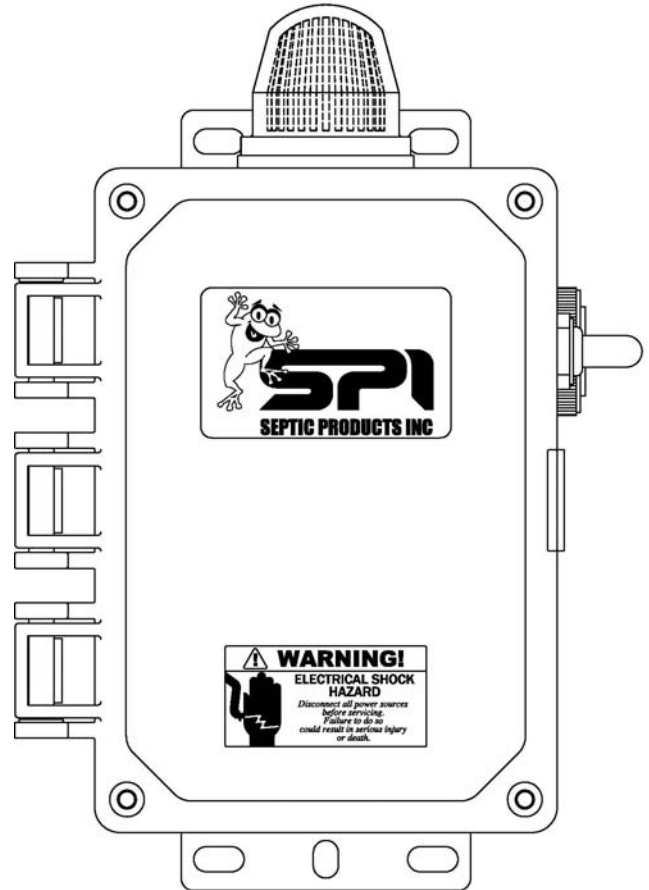
Figure 2: General tank setup



“Observer 500” Series Indoor/Outdoor Alarm

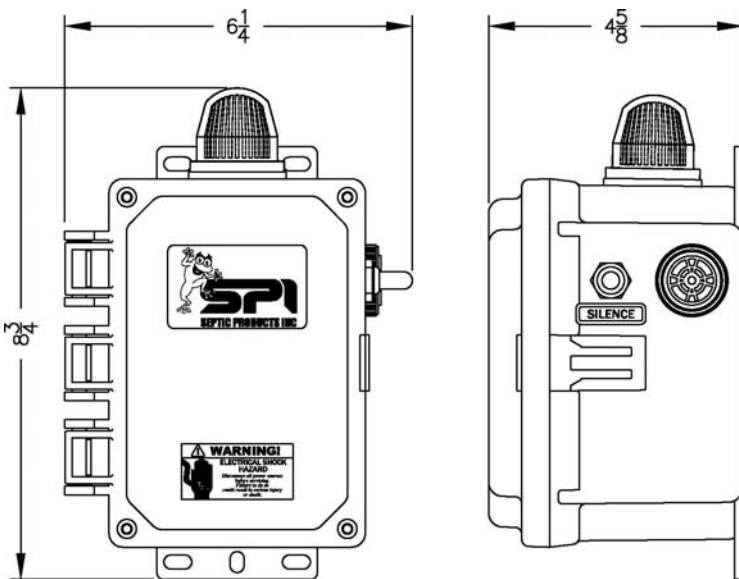
Features & Benefits

- NEMA 4x Thermoplastic Enclosure
- Large Alarm Condition Indicating Light
- Audible Horn rated 85db @ 10'
- Alarm Test-Normal-Silence switch
- Automatic Alarm Reset
- Supplied w/Cord Grip for Float Switch Installation
- Includes 15' Mechanical Alarm Float & mounting tie strap
- 6' Power Cord with 115 volt plug
- Suitable for Indoor or Outdoor Use
- Two Year Limited Warranty
- Available in both High Water & Low Level Alarm versions



(Standard Observer 500 Shown)

Dimensions



*Note: Consult the factory for other available options.