



## SW200 SEWAGE PUMP

### FEATURES

- Heavy duty cast iron
- Oil-filled continuous duty PSC motor
- 2 vane cast iron vortex impeller

*Honest  
Professional  
Dependable*

1899 Cottage Street, Ashland, Ohio 44805

Telephone: 855 281-6830 · Fax: 877 326-1994

[ashlandpump.com](http://ashlandpump.com)



# SW200 - 2 HP Submersible Sewage Pump

## TECHNICAL DATA

### Physical Data:

DISCHARGE SIZE **2" NPT**  
 IMPELLER TYPE **Vortex - Cast Iron**  
 CABLE LENGTH **20'**

### Liquid Handling:

SOLIDS SIZE **2"**  
 MAXIMUM LIQUID TEMP. **104°F - Intermittent**  
 ACCEPTABLE PH RANGE **6-8**

### Temperature:

MAXIMUM STATOR **120°C**

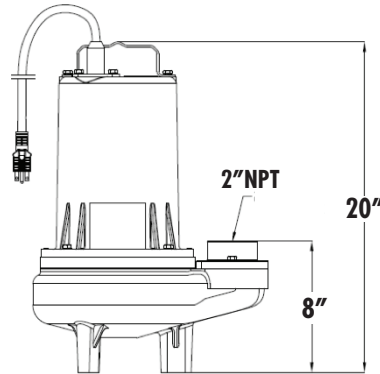
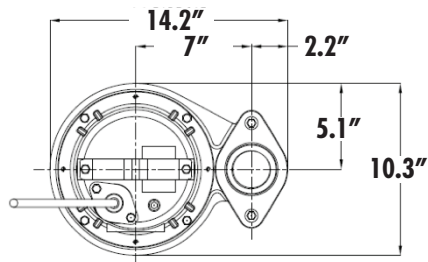
### Technical Data:

POWER CORD TYPE **SOW 12/3C**  
 MOTOR HOUSING **Cast Iron**  
 CASING **N/A**  
 IMPELLER **Cast Iron**  
 MOTOR SHAFT **SS430**  
 HARDWARE **SUS**  
 "O" RINGS **NBR**  
 MECHANICAL SEALS **Standard**  
 UPPER BEARING **6203**  
 LOWER BEARING **6203**

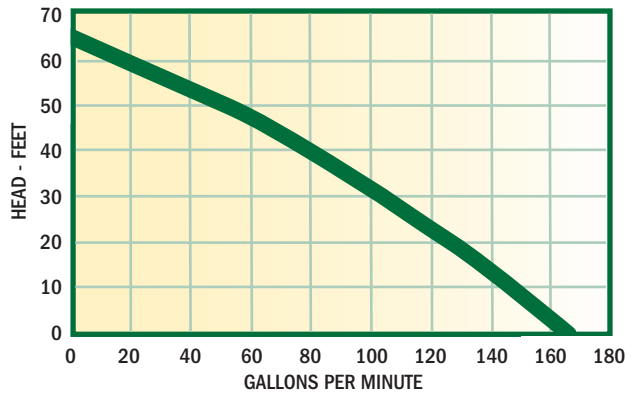
## ELECTRICAL DATA

R.P.M. **3450**  
 MOTOR TYPE **PSC**  
 GENERAL INSULATION CLASS **B**  
 STATOR WINDING CLASS **B**  
 MAXIMUM STATOR TEMPERATURE **120°C**  
 VOLTAGE TOLERANCE **±10%**  
 MOTOR PROTECTION **Thermally Protected**  
 HP **2**  
 VOLTAGE **240**  
 PHASE **1**  
 SERVICE FACTOR **N/A**  
 FULL LOAD AMPS **15.0**

## DIMENSIONAL DATA



## PERFORMANCE CURVE



## PERFORMANCE CHART

Total Lift(feet)	0	20	30	40	50	65
GPM	165	125	103	80	50	0

# Ashland

P U M P

*Honest, Professional, Dependable*

1899 Cottage Street, Ashland, Ohio 44805  
 Telephone: 855 281-6830 · Fax: 877 326-1994 · ashlandpump.com