

www.septicsolutions.com
 SEPTIC SOLUTIONS, INC.
CYCLONETM
 High Performance Air Pumps

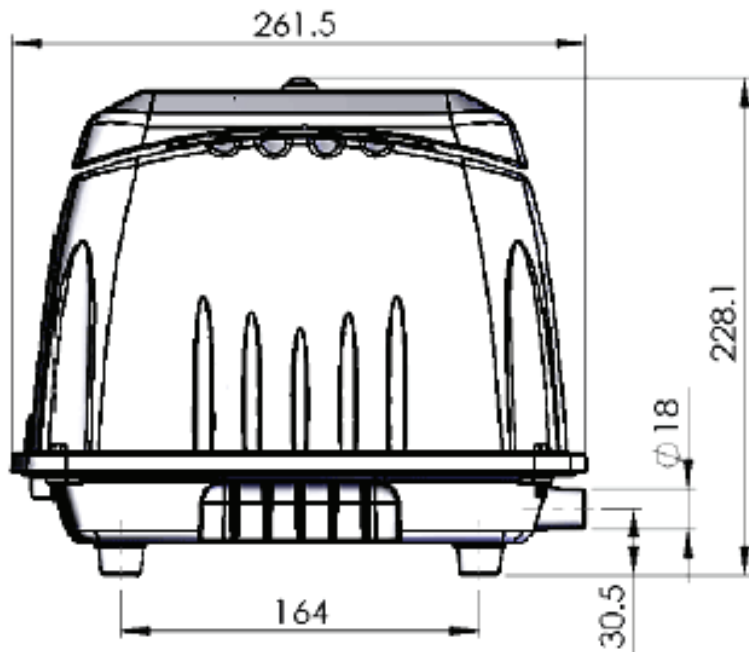
SSX-120



AIR PUMP SPECIFICATIONS

Voltage	115 VAC
Amperage	1.6 A
Wattage	128 W
Max CFM	5.9 cfm
Rated LPM	120 lpm
Max PSI	6.50 psi

CFM = Cubic Feet/Min LPM = Liters/Min PSI = Lbs/Sq In



Dimensions measured in mm

