

LEGACYTM CONTROLS

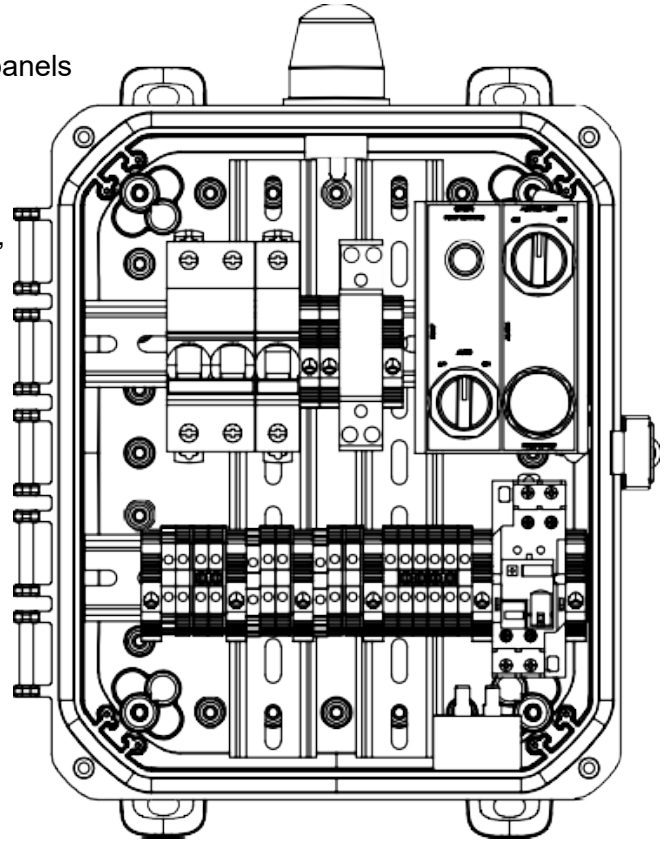
Simplex Control Panel – Single Phase, Type 4X (Indoor/Outdoor) Model: LE-4001 / LE-4003 (120/240 VAC)

Product Overview

The LE-4001 and LE-4003 are single-phase simplex control panels designed for reliable pump control in residential and light commercial wastewater applications. These panels feature installer-friendly Quick Change Grouping Pins for simple field voltage selection (120/240 VAC) and flexible float configurations (3-float or 2-float operation). Built in a compact, lockable Type 4X enclosure, they provide robust alarm monitoring and dependable performance.

Standard Features

- Type 4X Enclosure, Indoor or Outdoor Use, Quick Latch, Lockable
- Standard Enclosure Size: 10.3" x 13.28" x 5.8" (inches)
- Alarm Buzzer and Red Alarm Beacon (visual, 85–95 dB audible)
- MCB Protection for Pump + IEC Installation Contactor
- MCB Protection for Alarm and Control Circuits
- HOA Switch + Pump Run Indicator
- On/Off Logic Relay
- Flexible Float Control – Field configurable for 3-Float or 2-Float operation via Quick Change Grouping Pins
- Quick Change Grouping Pins for field selectable voltage (120/240 VAC)
- Alarm Test Push Button + Alarm Buzzer ON/OFF Switch
- 3-Position Pump Selector (AUTO / OFF / ON)



Technical Specifications

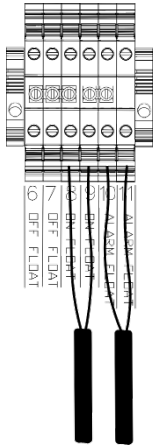
Parameter	Specification
Model	LE-4001 / LE-4003
Voltage	120/240 VAC, Single Phase (field selectable via Quick Change Grouping Pin)
Pump FLA	16 Amps Pump / FLA 20 Amps
Enclosure Rating	Type 4X (Indoor/Outdoor)
Control Type	Standard Simplex with Flexible Float Configuration
Float Operation	Field configurable: 3-Float (default) or 2-Float via Quick Change Grouping Pins
Certifications	UL Listed (where applicable)

Float Configuration & Application

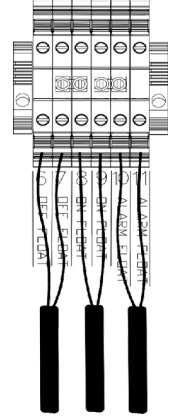
These panels support two field-configurable float setups using Quick Change Grouping Pins located on the terminal block. All jumper pins are included with the panel.

Configuration	Float Setup	Description
A (Default)	3-Float	Separate Off, On, and High Water Alarm floats
B	2-Float	Combined Off/On float + dedicated High Water Alarm float

INSTALL NEW JUMPER
Connecting terminal 6, 7 and 8



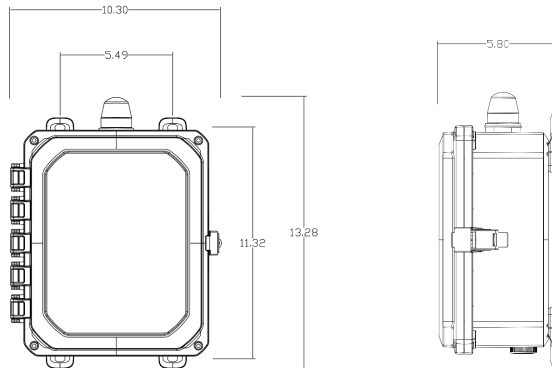
Configuration "A" (Factory Default – 3 Float): Separate Off, On, and High-Water Alarm floats. Provides independent control and alarm functions for maximum protection and flexibility.



Configuration "B" (2 Float Operation): Combined Off/On float + dedicated High Water Alarm float. Simplifies installation while maintaining essential alarm functionality. Install new jumper between terminals 6, 7 and 8. *NOTE Jumper on terminals 9 & 10 do not connect to 6, 7 and 8.

Product Dimensions

Panel Model	Overall Width (W)	Overall Height (H)	Overall Depth (D)	Mounting Width
LE-4001	10.3"	13.28"	5.8"	5.49"
LE-4003	10.3"	13.28"	5.8"	5.49"



Ordering Information

For current pricing and a customized quote, please request details from your local authorized sales and service provider.

Compliance & Notes

- Type 4X enclosure suitable for indoor and outdoor installations
- Quick Change Grouping Pins allow simple field voltage selection (120/240 VAC) and float configuration changes
- Designed for standard simplex pump control applications
- All installations must comply with applicable local, state, and national electrical codes